

• Read all instructions carefully before installing.

YOU WILL NEED:

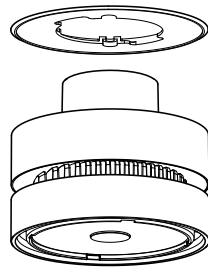
• Ensure that power is off on the main panel before starting installation or performing any maintenance.

• Do not install this lighting system in a wet location.

• Do not install any fixture closer than 6 inches from any curtain or combustible material.

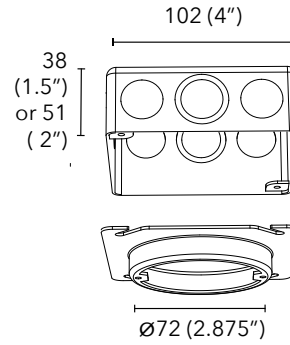
• Make sure all screws are properly tightened.

• Supply and install correct Junction Box and Device Cover as indicated at right before final installation of luminaire.



Trim Ring
(Included in Box)

Luminaire
(Included in Box)



4" Junction box
1-1/2" or 2" deep
(Not Included in Box)

Device cover
with 2-7/8" round opening
(Not Included in Box)

A. Semi Recessed (Trimmed) Installation

Note:
Recommended ceiling opening dimension: 3.375" (86mm)

1. Instal J-box and device cover in ceiling. Install trim ring and attach to J-box with screws (Fig. 1A).

2. Attach luminaire to trim ring safety harness with carabiner clip (Fig. 2A).

3. Connect black and white line voltage and green ground wires from driver to black and white line voltage and ground wires from J-box (Fig. 3A).

4. Insert luminaire into trim ring (Fig. 4A). Turn luminaire clockwise (Fig. 5A) until you hear a distinct click indicating that tabs are locked into position as shown in Fig 6A.

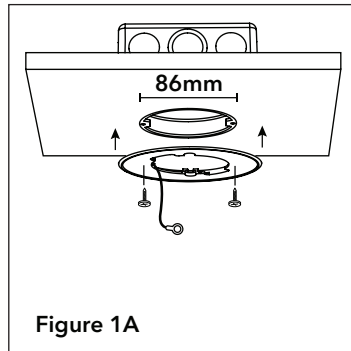


Figure 1A

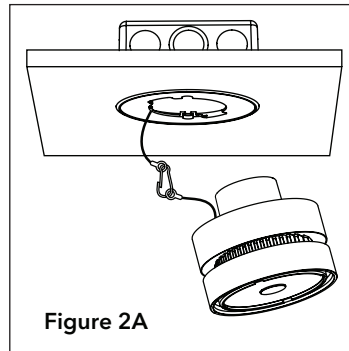


Figure 2A

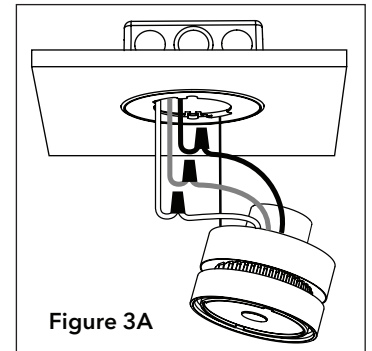


Figure 3A

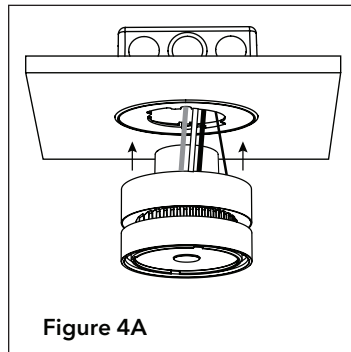


Figure 4A

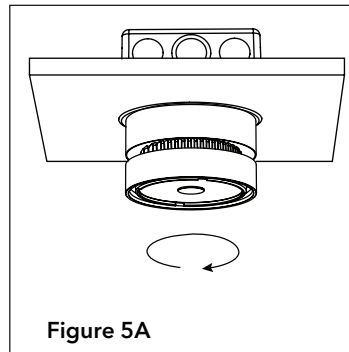


Figure 5A

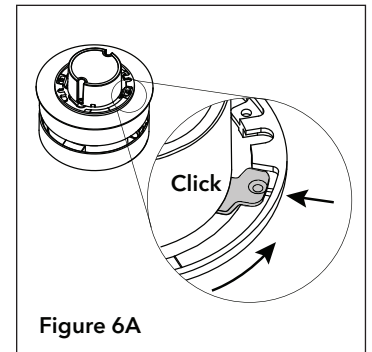


Figure 6A

• Read all instructions carefully before installing.

YOU WILL NEED:

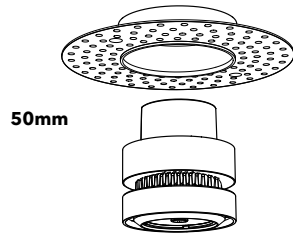
• Ensure that power is off on the main panel before starting installation or performing any maintenance.

• Do not install this lighting system in a wet location.

• Do not install any fixture closer than 6 inches from any curtain or combustible material.

• Make sure all screws are properly tightened.

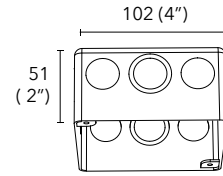
• Supply and install correct Junction Box as indicated at right before final installation of luminaire.



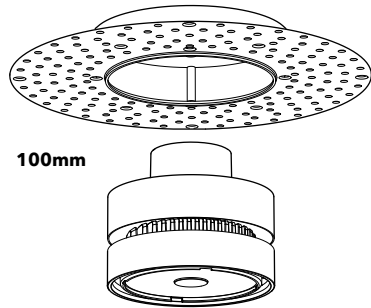
50mm

Mud Ring
(Included in Box)

Luminaire
(Included in Box)



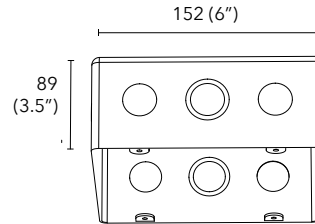
4" Square
Junction box
2" deep
(Not Included
in Box)



100mm

Mud Ring
(Included in Box)

Luminaire
(Included in Box)



6" Square
Junction box
3-1/2" deep
(Not Included
in Box)

B. Recessed (Untrimmed) Installation

Recommended ceiling opening dimensions:
50mm version: 4" (102mm)
100mm version: 5.25" (133mm)

1. Install J-box in ceiling (device ring not required). Insert mud ring in ceiling opening (Fig. 1B), then attach mud ring to J-box (Fig. 2B).

2. Insert protective mud ring plug in mud ring (Fig. 3B).

3. Finish ceiling by plastering over mud ring (Fig. 4B).

4. Remove mud ring plug and attach safety harness to luminaire using carabiner clip (Fig. 5B).

5. Connect black and white line voltage and green ground wires from driver to black and white line voltage and green ground wires from J-box (Fig. 6B).

7. Insert luminaire into trim ring (Fig. 7B). Turn luminaire clockwise (Fig. 8B) until you hear a distinct click indicating that tabs are locked into position as shown in Fig. 9B.

Note:
in case of "Anywhere Ring" installation, Steps 2 and 3 above may be omitted (no plastering needed). Recommended hardware: #8 Flat Head Self-Tapping Screw (4X).

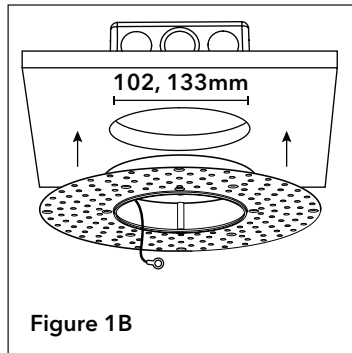
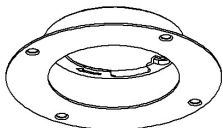


Figure 1B

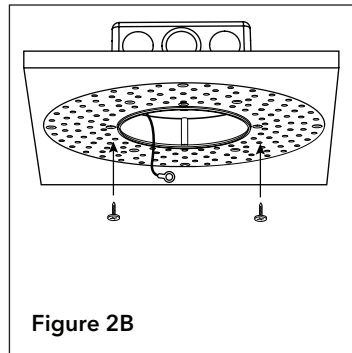


Figure 2B

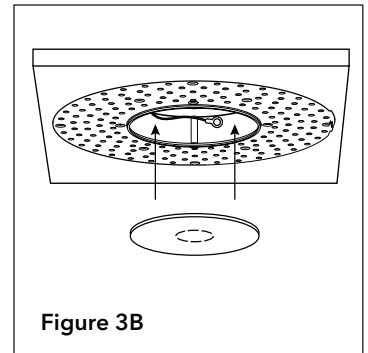


Figure 3B

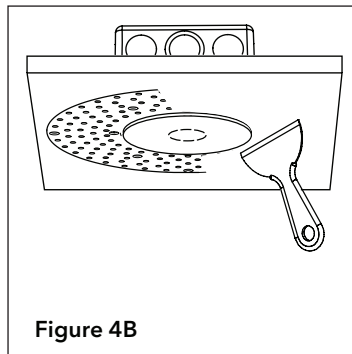


Figure 4B

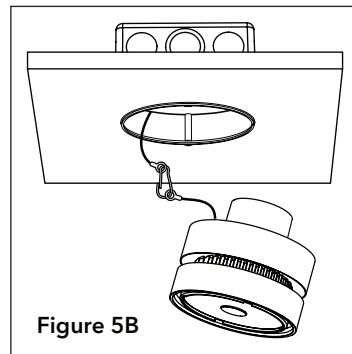


Figure 5B

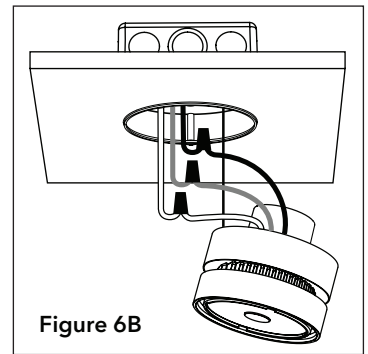


Figure 6B

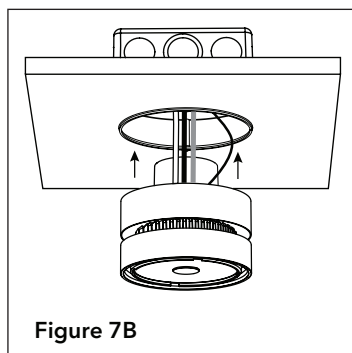


Figure 7B

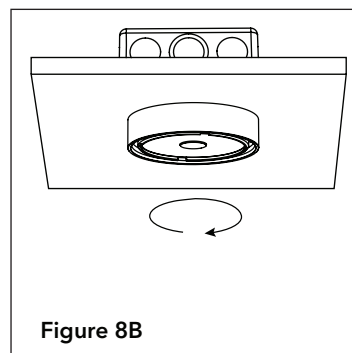


Figure 8B

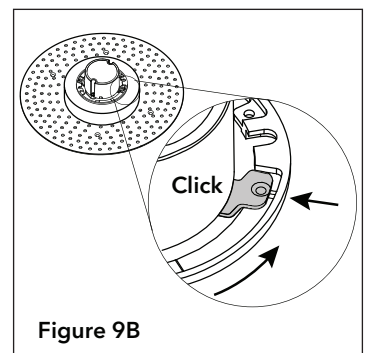


Figure 9B

• Read all instructions carefully before installing.

YOU WILL NEED:

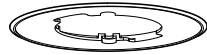
• Ensure that power is off on the main panel before starting installation or performing any maintenance.

• Do not install this lighting system in a wet location.

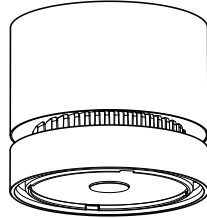
• Do not install any fixture closer than 6 inches from any curtain or combustible material.

• Make sure all screws are properly tightened.

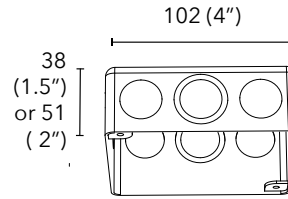
• Supply and install correct Junction Box and Device Cover as indicated at right before final installation of luminaire.



**Trim Ring
(Included in Box)**



**Luminaire
(Included in Box)**



**4" Junction box
1-1/2" or 2" deep
(Not Included in Box)**

C. Surface Mounting Installation

1. Install J-box in ceiling. Pull wires through ceiling opening. Install trim ring and attach to J-box with screws (Fig. 1C).

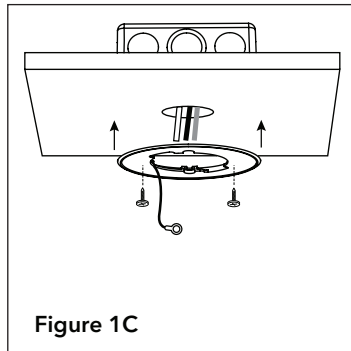


Figure 1C

2. Attach luminaire to trim ring safety harness with carabiner clip (Fig. 2C).

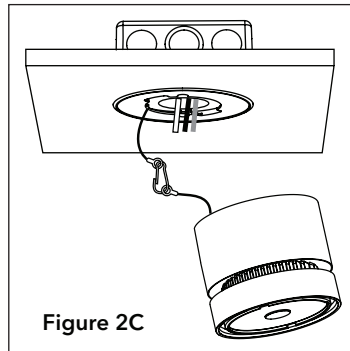


Figure 2C

3. Connect black and white line voltage and green ground wires from luminaire to black and white line voltage and ground wires from J-box (Fig. 3C).

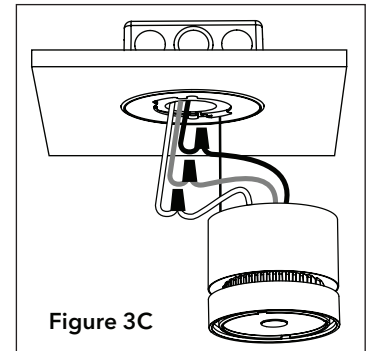


Figure 3C

4. Insert luminaire into trim ring (Fig. 4C). Push up and turn luminaire clockwise (Fig. 5C) until you hear a distinct click indicating that tabs are locked into position as shown in Fig. 6C.

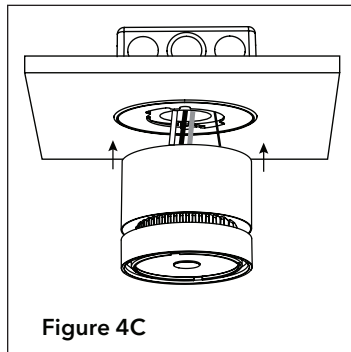


Figure 4C

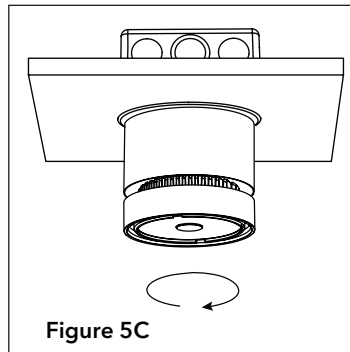


Figure 5C

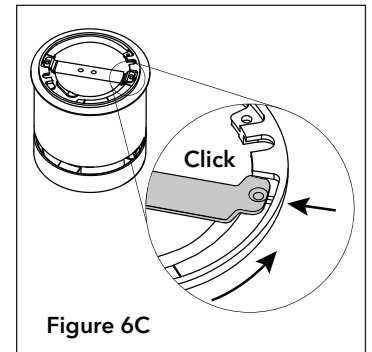


Figure 6C