

AVAILABLE WINTER 2021

# SORAA healthy™



2  
PACK

E27

### THE SLEEP-FRIENDLY LIGHT THAT LOOKS AS GOOD AS IT FEELS

We designed Soraa HEALTHY™ lamps with our unique Soraa ZEROBLUE™ technology, which means your body recognizes the time for sleep as nature intended. Evenings are more restful, your body relaxes, and sleep comes more easily.

### SORAA ZEROBLUE TECHNOLOGY

Soraa HEALTHY lamps have no blue content in the spectrum (as opposed to just dimming the light and producing a warmer tone) so there is no overexposure to blue light in the evening which can negatively impact our sleep cycles and longer-term health.

Soraa's patented ZEROBLUE technology advances LED science by creating an emitter of high-quality white light without blue radiation. Based on Soraa's world leading violet LEDs, Soraa combines an engineered mix of green and red phosphors to produce a spectrum with a wide gap in the blue range.

Soraa HEALTHY lamps not only provide circadian-health benefits of no blue content to support better sleep and healthy environments, but they also retain a beautiful, white light quality, making these lamps functional for any space.

### FLICKER

Soraa lamps demonstrate low levels of flicker in both dimmed and undimmed states.

### THERMALLY COMPATIBLE

Suitable for use in fully enclosed fixtures, subject to the maximum heatsink temperature limits stated in this data sheet. A list of qualified enclosed fixtures can be found at [www.soraa.com/resources](http://www.soraa.com/resources). Soraa lamps are designed to safely turn down in any thermal environment not conducive to minimum airflow or proper ventilation.

### ELECTRICALLY COMPATIBLE

Works with trailing edge and leading edge phase cut dimmers. A list of compatible dimmers and transformers can be found at [www.soraa.com/resources/compatibility](http://www.soraa.com/resources/compatibility).

# A60 E27 11W LED

HIGH COLOR QUALITY, ENCLOSED FIXTURE COMPATIBLE LED LAMP FOR USE IN A60 COMPATIBLE FIXTURES AND OTHER INDOOR AND OUTDOOR APPLICATIONS

OUTPUT RANGE 550 lumen

BEAM ANGLE Omnidirectional

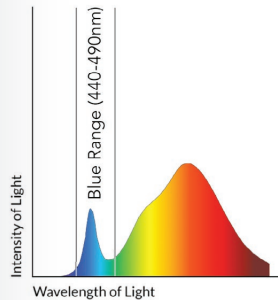
COLOR METRICS CCT: 2700K  
Color Rendering  
CIE Metrics: CRI 80, R9 90

APPLICATION Incandescent replacement for indoor and outdoor applications



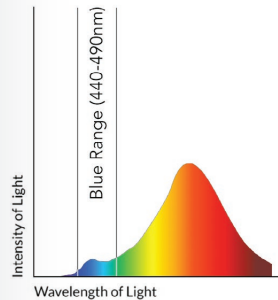
## ZEROBLUE WITH 100% VISUAL APPEAL

### STANDARD LED – large blue peak



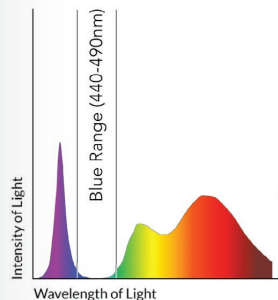
Faded colors and whites

### SLEEP LED – reduced blue, unnatural yellow



Unnatural yellow tint

### SORAA ZEROBLUE LED – soft white light with no blue



Beautiful colors and whites

AVAILABLE WINTER 2021

# SORAA healthy™

## LIFETIME AND WARRANTY

Rated lifetime to L70: 25,000 hours  
 Warranty: 3 years or 25,000 hours whichever comes first  
 Detailed warranty information available at:  
[sora.com/resources/legal](http://sora.com/resources/legal)

## LOCATION RATING

Suitable for damp locations  
 Not rated for use in wet locations, should not be exposed to liquid water (including condensation).

## OPERATING TEMPERATURE

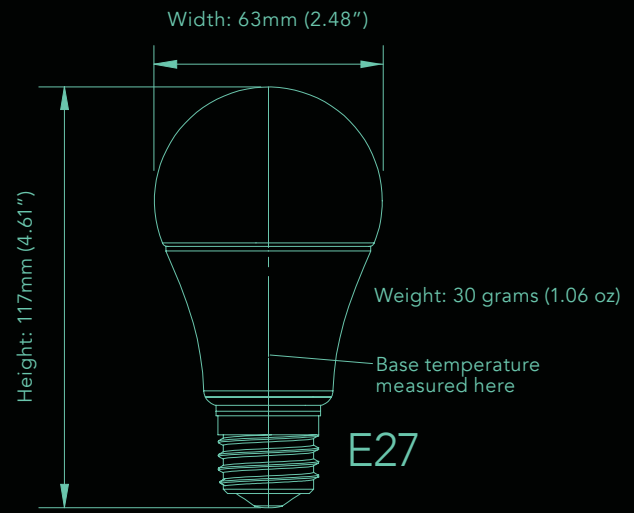
Minimum: -40° C (ambient)  
 Typical: 105° C - 110° C (lamp base)  
 Maximum: 115° C (lamp base)

## ELECTRICAL SPECIFICATIONS

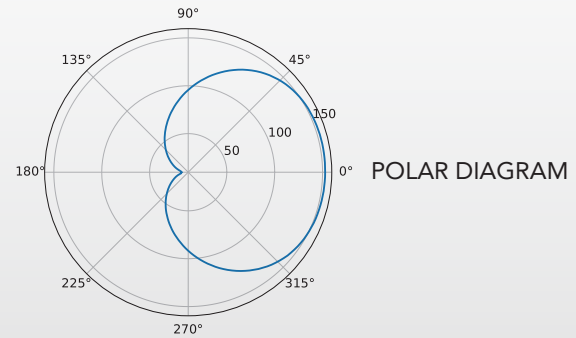
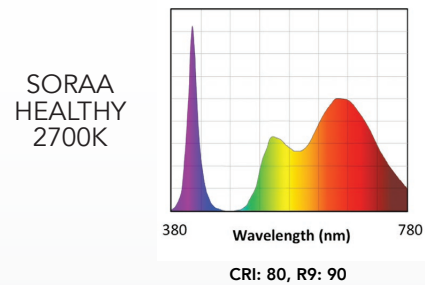
Wattage: 11W  
 Voltage: 230V +/- 12V  
 Frequency: 50/60 Hz  
 Power Factor: 0.95  
 Dimmability: <20%  
 Flicker Index: <0.08  
 Percent Flicker: <30%

## CERTIFICATIONS

UL/CUL  
 FCC Title 47 Part 15B  
 RoHS



SPECTRAL POWER DISTRIBUTION



Model Number	Product Code	CCT (K)	Total Flux (Lm)	Beam Angle (°)	Halogen Equiv (W)**	Efficacy (Lm/W)	CRI/R9	White Point (McA)
<b>HEALTHY SERIES</b>								
SH-A60E27-11-27-01-X2-S3	04476	2700	550	OMNI	40	52	80/90	3

\*Specifications are at stable warm operating conditions (25°C ambient) \*\*Energy Star Minimum  
 CCT = Correlated Color Temperature CRI = Color Rendering Index (Ra-8) White Point = White Point Accuracy in McA step

Soraa HEALTHY lamps are available in the following form factors: A60 – A19 – BR30 – MR16 – GU10 <https://www.soraa.com/products/lamps>

SORAA CORPORATE HEADQUARTERS  
 6500 Kaiser Drive, Suite 110  
 Fremont, CA 94555  
 855 GO-SORAA (855) 467-6722  
[www.soraa.com](http://www.soraa.com)

SORAA INTERNATIONAL  
 Unit 38, Ambition Broxbourne  
 Business Centre, Pindar Road,  
 Hoddesdon, EN11 0FJ, United Kingdom  
 +44 (0)1992 535053

Soraa is a registered trademark of Soraa, Inc., Soraa HEALTHY and Soraa ZEROBLUE are trademarks of Soraa, Inc. Information and specifications subject to change. 1.18.19

**SORAA®**  
 SIMPLY PERFECT LIGHT