



HIGH COLOR QUALITY, ENCLOSED FIXTURE COMPATIBLE LED LAMP FOR USE IN MR16 COMPATIBLE DOWNLIGHTS AND OTHER INDOOR AND OUTDOOR APPLICATIONS

OUTPUT RANGE 400 lumen

BEAM ANGLE 36°

COLOR METRICS CCTs: 2700K  
Color Rendering  
CIE Metrics: CRI 80, R9 90

APPLICATION Halogen replacement for applications that require low or no blue in the spectrum



## THE SLEEP-FRIENDLY LIGHT THAT LOOKS AS GOOD AS IT FEELS

We designed Soraa HEALTHY™ lamps with our unique Soraa ZEROBLUE™ technology, which means your body recognizes the time for sleep as nature intended. Evenings are more restful, your body relaxes, and sleep comes more easily.

## SORAA ZEROBLUE TECHNOLOGY

Soraa HEALTHY lamps have no blue content in the spectrum (as opposed to just dimming the light and producing a warmer tone) so there is no overexposure to blue light in the evening which can negatively impact our sleep cycles and longer-term health.

Soraa's patented ZEROBLUE technology advances LED science by creating an emitter of high-quality white light without blue radiation. Based on Soraa's world leading violet LEDs, Soraa combines an engineered mix of green and red phosphors to produce a spectrum with a wide gap in the blue range.

Soraa HEALTHY lamps not only provide circadian-health benefits of no blue content to support better sleep and healthy environments, but they also retain a beautiful, white light quality, making these lamps functional for any space.

## THERMALLY COMPATIBLE

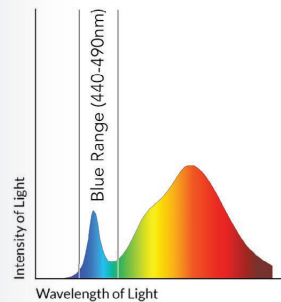
Suitable for use in fully enclosed fixtures, subject to the maximum heatsink temperature limits stated in this data sheet. A list of qualified enclosed fixtures can be found at [www.soraa.com/resources](http://www.soraa.com/resources). Soraa lamps are designed to safely turn down in any thermal environment not conducive to minimum airflow or proper ventilation.

## ELECTRICALLY COMPATIBLE

Works with trailing edge and leading edge phase cut dimmers. A list of compatible dimmers and transformers can be found at [www.soraa.com/resources/compatibility](http://www.soraa.com/resources/compatibility).

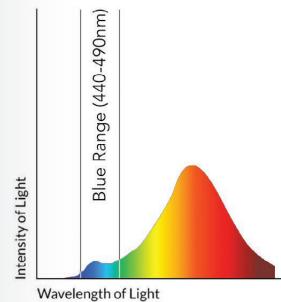
## ZEROBLUE WITH 100% VISUAL APPEAL

### STANDARD LED – large blue peak



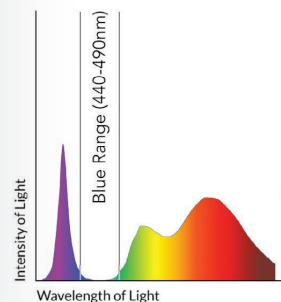
Faded colors and whites

### SLEEP LED – reduced blue, unnatural yellow



Unnatural yellow tint

### SORAA ZEROBLUE LED – soft white light with no blue



Beautiful colors and whites

## LIFETIME AND WARRANTY

Rated lifetime to L70: 25,000 hours  
 Warranty: 3 years or 25,000 hours whichever comes first  
 Detailed warranty information available at:  
[soraa.com/resources/legal](http://soraa.com/resources/legal)

## LOCATION RATING

Suitable for damp locations  
 Not rated for use in wet locations, should not be exposed to liquid water (including condensation).

## OPERATING TEMPERATURE

Minimum: -40° C (ambient)  
 Typical: 85° C - 95° C (lamp base)  
 Maximum: 100° C (lamp base)

## ELECTRICAL SPECIFICATIONS

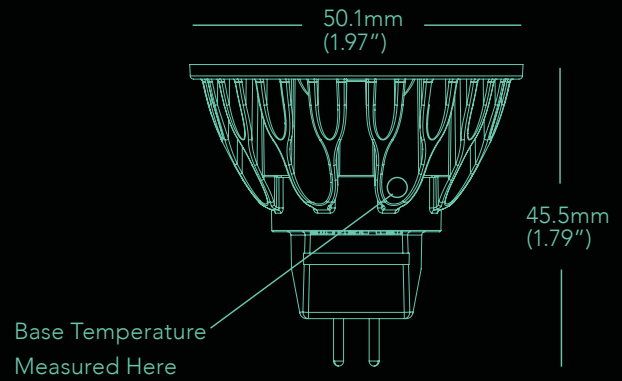
Wattage: 7.5W  
 Voltage: 12V +/- 1.2V  
 Frequency: 50/60 Hz  
 Power Factor: 0.95

## DIMING AND FLICKER

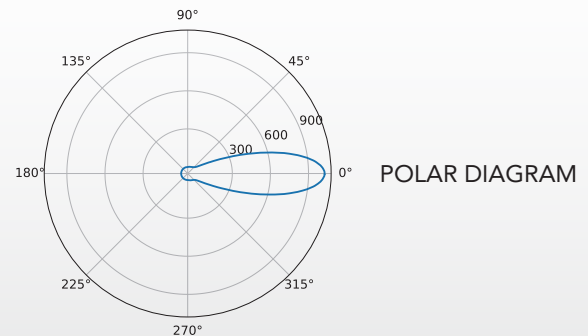
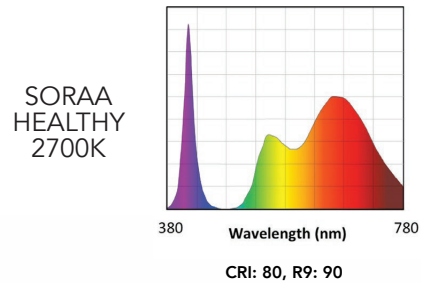
T24/JA8 compliant.  
 Please reference our compatibility chart for dimmer and transformer information.

## CERTIFICATIONS

UL/CUL  
 FCC Title 47 Part 15B  
 RoHS



SPECTRAL POWER DISTRIBUTION



Model Number	Product Code	CCT (K)	Total Flux (Lm)	Beam Angle (°)	Halogen Equiv (W)**	Efficacy (Lm/W)	CRI/R9	White Point (McA)
<b>HEALTHY SERIES</b>								
SH-MR16-07-36D-27-01-X2-S3	04695	2700	400	36°	50	53	80 / 90	3

\*Specifications are at stable warm operating conditions (25°C ambient) \*\*Energy Star Minimum  
 CCT = Correlated Color Temperature CRI = Color Rendering Index (Ra-8) White Point = White Point Accuracy in McA step

Soraa HEALTHY lamps are available in the following form factors: A60 – A19 – BR30 – MR16 – GU10 <https://www.soraa.com/products/lamps>