

• Read all instructions before installing.

• Ensure that power is off on the main panel before starting installation or performing any maintenance.

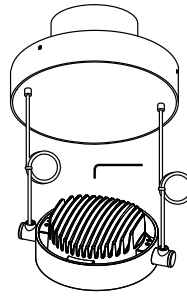
• Do not install this lighting system in a wet location.

• Do not install any fixture closer than 6 inches from any curtain or combustible material.

• Make sure all screws are properly tightened.

• 4", 2.125" deep J-box (by others) is required.

YOU WILL NEED:

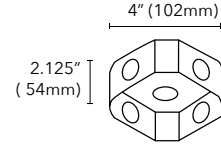


Included in Box:

1. Canopy with power supply
2. Power Wires
3. Luminaire
4. Allen Wrench

Not Included in box:

4" Junction box
2.125" deep



Semi-Recessed Mounting

Step 1. Cut ceiling opening under installed J-box to 3.5" diameter (Fig. 1).

Step 2. Using supplied Allen wrench tool, loosen three retaining screws holding mounting plate to canopy and lift mounting plate out of canopy assembly (Fig. 2).

Step 3. Thread cables from luminaire through both canopy and mounting plate (Fig.3).

Step 4. Measure intended length of wires and trim off excess, leaving a minimum of 3" (Fig. 4) to accommodate final adjustment, which is done in Step 11.

Step 5. Check polarity of each power wire as indicated on luminaire (Fig. 5)

Step 6. Connect red output wire from driver to positive cable and blue output wire from driver to negative cable (Fig. 6).

Step 7. Connect line voltage wires from J-box to black and white wires from driver. Connect ground from mounting bracket to ground wire from J-box. (Fig. 7). Driver accepts 120VAC input.

Step 8. Connect mounting bracket to installed J-box, using slots in mounting bracket to screw to J-box (Fig. 8).

Step 9. Install canopy over mounting bracket (Fig. 9).

Step 10. Secure canopy by tightening retaining screws (Fig. 10).

Step 11. Level luminaire by pushing adjustable grippers up to allow free movement of cables (Fig. 11).

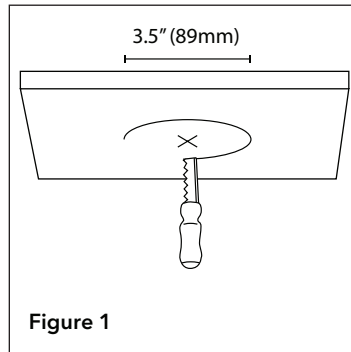


Figure 1

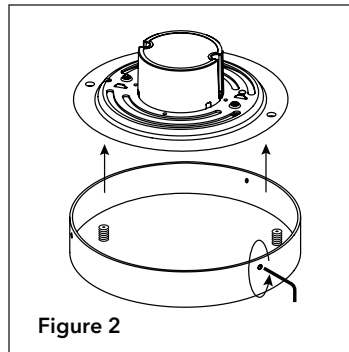


Figure 2

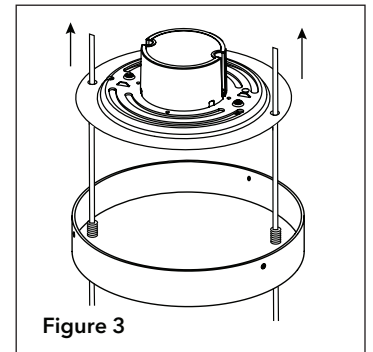


Figure 3

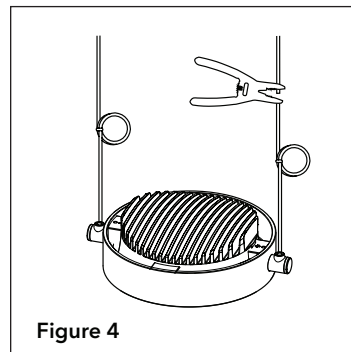


Figure 4

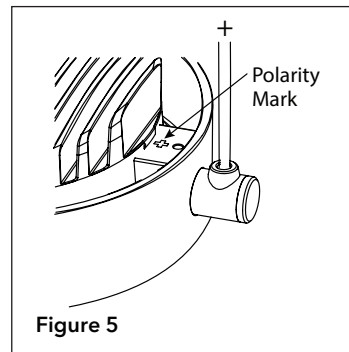


Figure 5

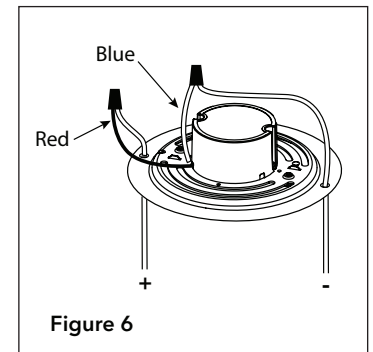


Figure 6

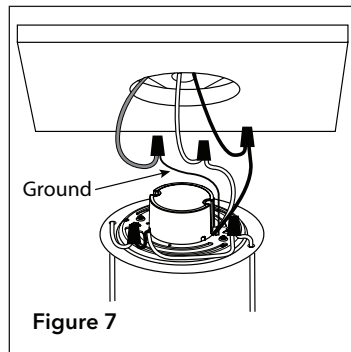


Figure 7

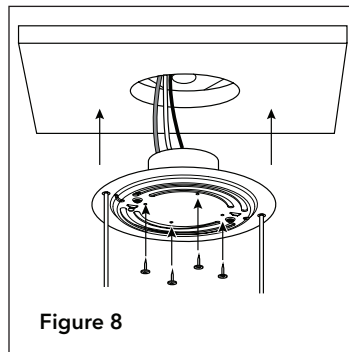


Figure 8

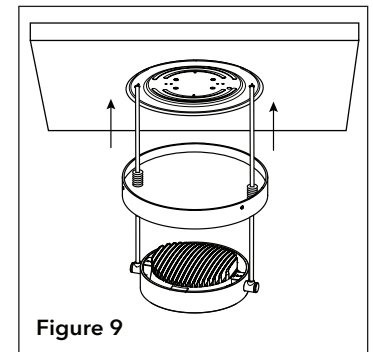


Figure 9

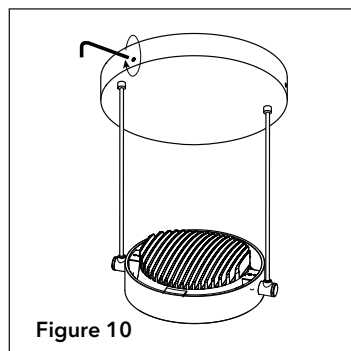


Figure 10

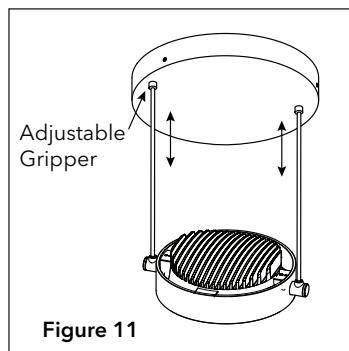


Figure 11