

• Read all instructions carefully before installing.

YOU WILL NEED:

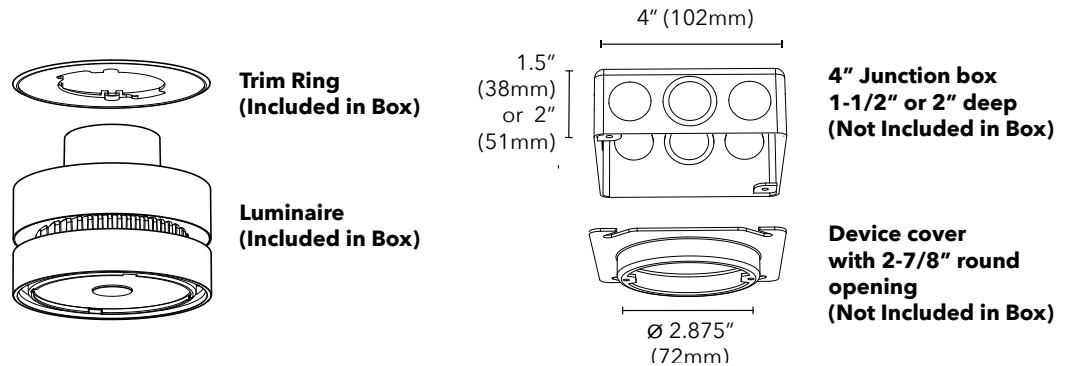
• Ensure that power is off on the main panel before starting installation or performing any maintenance.

• Do not install this lighting system in a wet location.

• Do not install any fixture closer than 6 inches from any curtain or combustible material.

• Make sure all screws are properly tightened.

• Supply and install correct Junction Box and Device Cover as indicated at right before final installation of luminaire.



Semi-Recessed (Trimmed) Mounting

Note:
Recommended ceiling opening dimension: 3.375" (86mm)

Step 1. Install J-box and device cover in ceiling. Install trim ring and attach to J-box with screws (Fig. 1).

Step 2. Attach luminaire to trim ring safety harness with carabiner clip (Fig. 2).

Step 3. Connect black and white line voltage and green ground wires from driver to line voltage and ground wires from J-box (Fig. 3). Driver accepts 120VAC input.

Step 4. Insert luminaire into trim ring (Fig. 4). Turn luminaire clockwise (Fig. 5) until you hear a distinct click indicating that tabs are locked into position as shown in Fig 6.

