

• Read all instructions before installing.

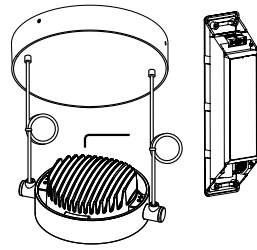
• Ensure that power is off on the main panel before starting installation or performing any maintenance.

• Do not install this lighting system in a wet location.

• Do not install any fixture closer than 152mm (6") from any curtain or combustible material.

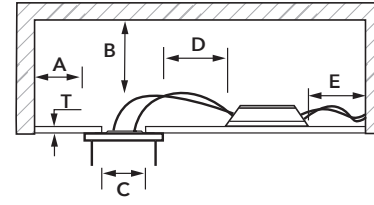
• Make sure all screws are properly tightened.

**YOU WILL NEED:**



Included in Box:

1. Canopy
2. Power Wires
3. Luminaire
4. Allen Wrench
5. Driver



**Minimum Space Requirements**

A	≥ 60mm
B	≥ 20mm
C	≥ 20mm
D	≥ 20mm
E	≥ 20mm
T	5-32mm

**Surface Mounting (Remote Driver) Instructions**

**Step 1.** Cut ceiling hole opening, using recommended dimension: 53mm (Fig. 1).

**Step 2.** Using supplied Allen wrench tool, loosen three retaining screws holding mounting plate to canopy and lift mounting plate out of canopy assembly (Fig. 2).

**Step 3.** Thread cables from luminaire through both canopy and mounting plate (Fig. 3).

**Step 4.** Pull line, ground, neutral, and dimming lines through ceiling opening and connect to driver (Fig. 4).

**Step 5.** Cut power wires to length desired for final installation (Fig 5). Leave approximately 75mm (3") extra to accommodate final adjustment in Step 12.

**Step 6.** Check polarity of power wires on luminaire (Fig. 6), connect power wires to power supply (Fig. 7), and locate power supply in ceiling (Fig. 8).

**Step 7.** Connect mounting plate to ceiling with screws (Fig. 9).

**Step 8.** Install canopy over mounting bracket (Fig. 10) and secure by tightening 3 retaining screws with Allen wrench provided (Fig. 11).

**Step 9.** Level luminaire by pushing adjustable grippers up to allow free movement of cables (Fig. 12).

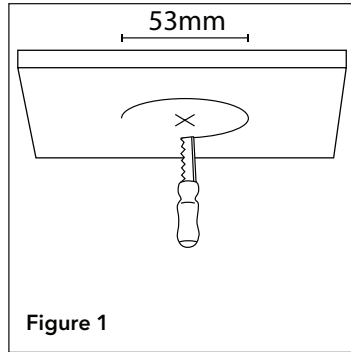


Figure 1

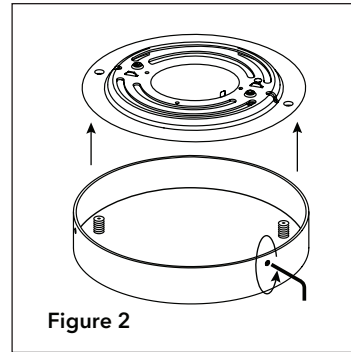


Figure 2

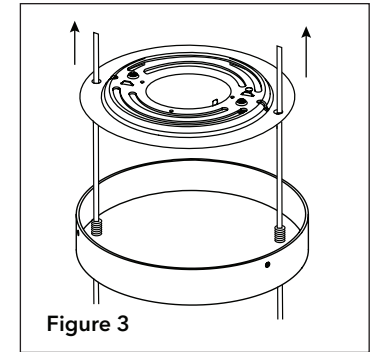


Figure 3

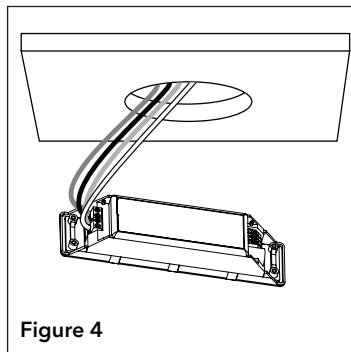


Figure 4

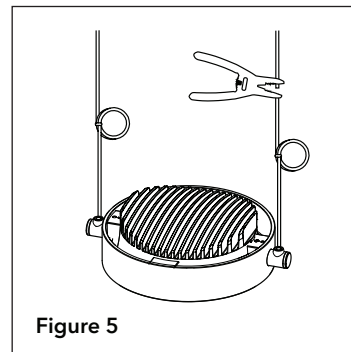


Figure 5

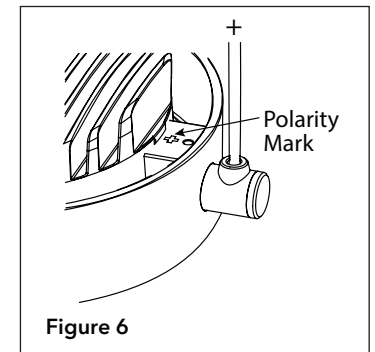


Figure 6

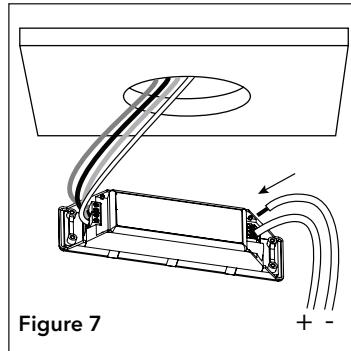


Figure 7

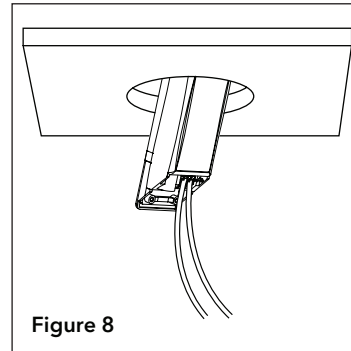


Figure 8

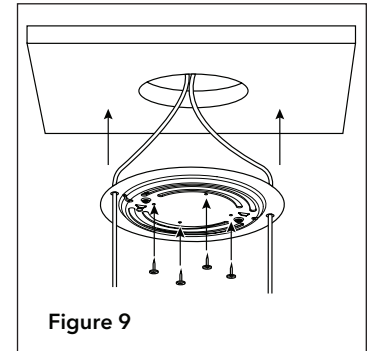


Figure 9

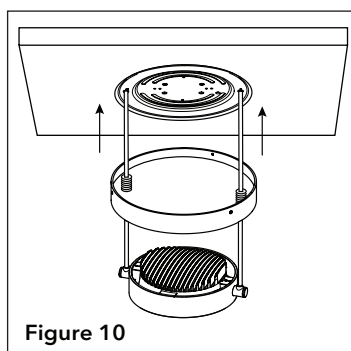


Figure 10

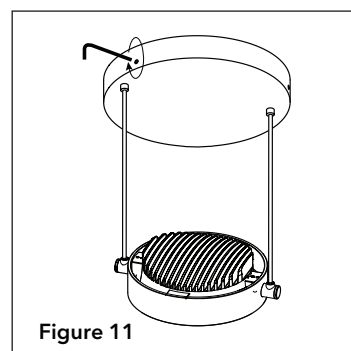


Figure 11

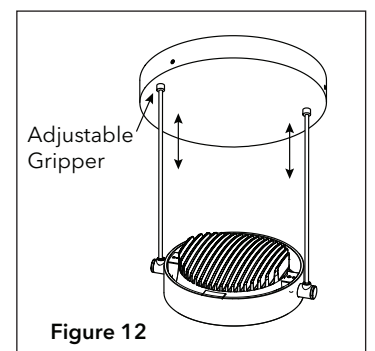


Figure 12



**WARNING:**  
LUMINAIRES NOT SUITABLE  
FOR COVERING WITH THERMAL  
INSULATING MATERIAL