

• Read all instructions carefully before installing.

**YOU WILL NEED:**

• Ensure that power is off on the main panel before starting installation or performing any maintenance.

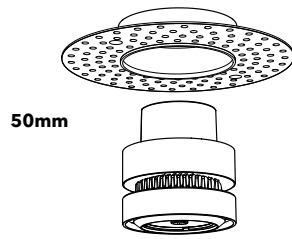
• Do not install this lighting system in a wet location.

• Do not install any fixture closer than 6 inches from any curtain or combustible material.

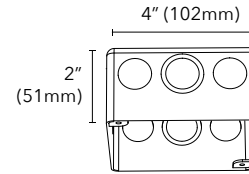
• Make sure all screws are properly tightened.

• Supply and install correct Junction Box as indicated at right before final installation of luminaire.

• Order Mud Ring separately: **ARMR100-W** for ARA100 **ARMR50-W** for ARA50

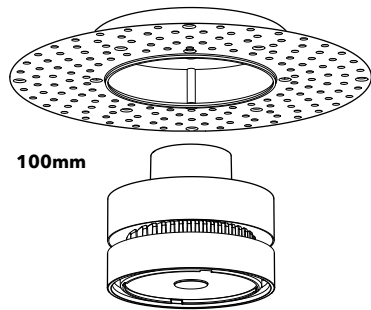


**Mud Ring (Order Separately)**

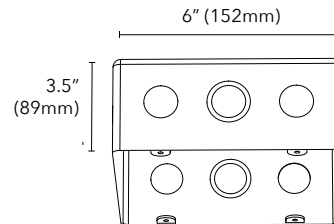


**4" Square Junction box 2" deep (Not Included in Box)**

**Luminaire (Included in Box)**



**Mud Ring (Order Separately)**



**6" Square Junction box 3-1/2" deep (Not Included in Box)**

**Luminaire (Included in Box)**

**Recessed (Untrimmed) Mounting**

Recommended ceiling opening dimensions:  
50mm version: 4" (102mm)  
100mm version: 5.25" (133mm)

**Step 1.** Install J-box in ceiling (device ring not required). Insert mud ring in ceiling opening (Fig 1), then attach mud ring to J-box (Fig. 2).

**Step 2.** Insert protective mud ring plug in mud ring (Fig. 3).

**Step 3.** Finish ceiling by plastering over mud ring (Fig. 4).

**Step 4.** Remove mud ring plug and attach safety harness to luminaire using carabiner clip (Fig. 5).

**Step 5.** Connect black and white line voltage and green ground wires from driver to line voltage and ground wires from J-box (Fig. 6). Driver accepts 120VAC input.

**Step 6.** Insert luminaire into trim ring (Fig. 7). Turn luminaire clockwise (Fig. 8) until you hear a distinct click indicating that tabs are locked into position as shown in Fig 9.

