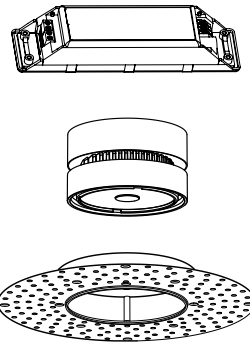


• Read all instructions carefully before installing.

YOU WILL NEED:



Included in Box:

- 1. Power Supply**
- 2. Luminaire**
- 3. Mud Ring**

• Ensure that power is off on the main panel before starting installation or performing any maintenance.

• Do not install this lighting system in a wet location.

• Do not install any fixture closer than 152mm (6") from any curtain or combustible material.

Recessed (Untrimmed) Mounting

Recommended ceiling cutout dimensions:

50mm Luminaire: 90mm (3.54")

100mm Luminaire: 125mm (4.92")

Step 1. Make ceiling cutout to recommended dimension. Insert mud ring in ceiling (Fig. 1).

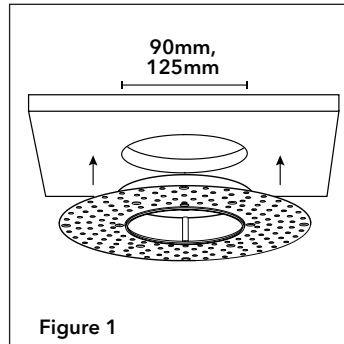


Figure 1

Step 2. Attach mud ring to ceiling with screws (Fig. 2).

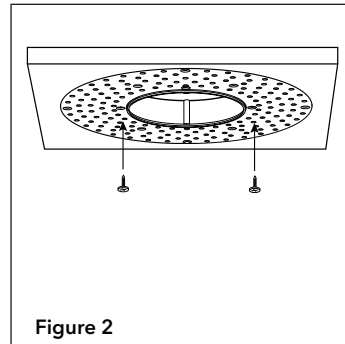


Figure 2

Step 3. Insert protective plug into mud ring (Fig. 3)

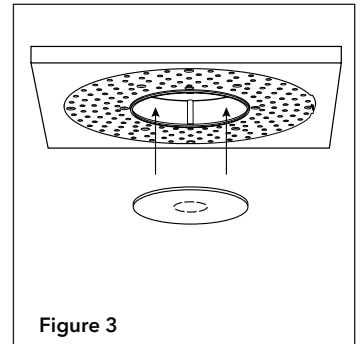


Figure 3

Step 4. Finish ceiling by plastering over mud ring (Fig. 4).

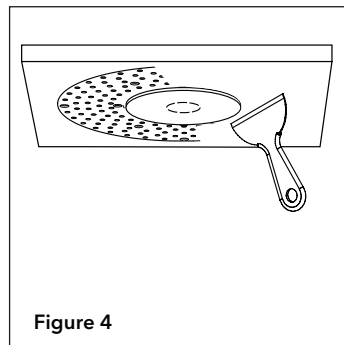


Figure 4

Step 5. Remove mud ring plug. Pull line, ground, neutral, and dimming lines through ceiling opening and connect to power supply (Fig. 5).

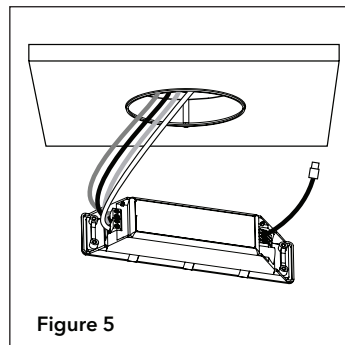


Figure 5

Step 6. Pass connected power supply through ceiling opening and secure in ceiling, leaving power wires exposed for later connection to luminaire (Fig. 6). Locate power supply in ceiling, leaving power wires exposed for later connection to luminaire.

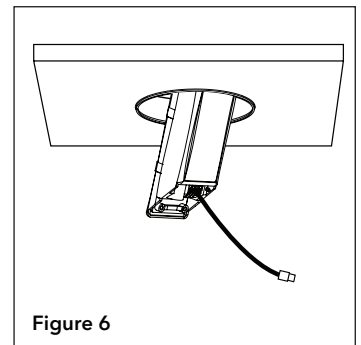


Figure 6

Step 7. Attach safety harness from mud ring to luminaire with carabiner clip (Fig. 7).

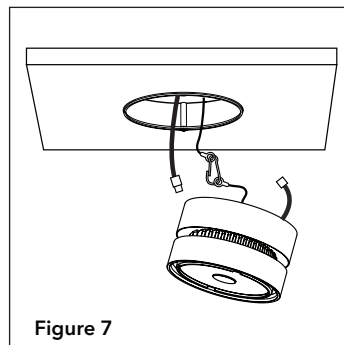


Figure 7

Step 8. Connect power wires from power supply in ceiling to luminaire with quick-connector (Fig. 8).

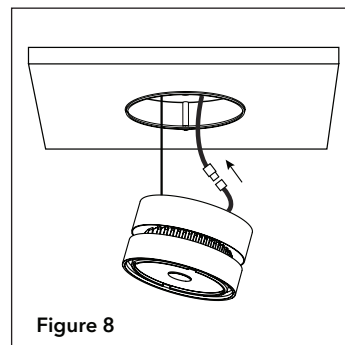


Figure 8

Step 9. Insert luminaire into mud ring opening (Fig. 9). Turn luminaire clockwise (Fig. 10) until you hear a distinct click indicating that tabs are locked into position as shown in Fig. 11.

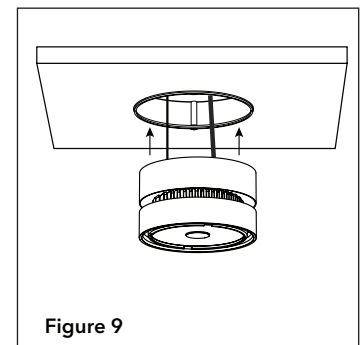


Figure 9

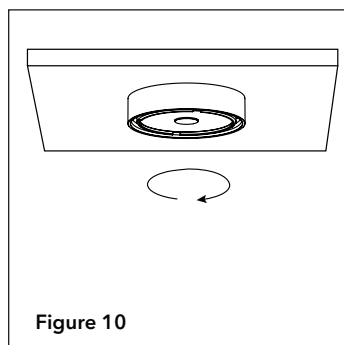


Figure 10

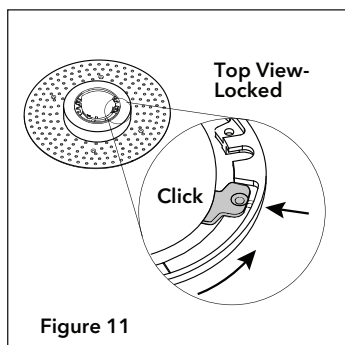
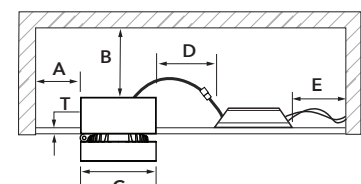


Figure 11



Minimum Space Requirements

A	≥ 60mm
B	≥ 20mm
C	≥ 20mm
D	≥ 20mm
E	≥ 20mm
T	5-32mm

WARNING:
LUMINAIRES NOT SUITABLE FOR COVERING WITH THERMAL INSULATING MATERIAL