

• Read all instructions before installing.

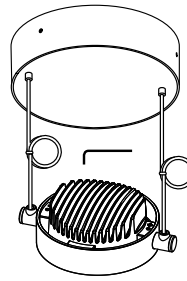
• Ensure that power is off on the main panel before starting installation or performing any maintenance.

• Do not install this lighting system in a wet location.

• Do not install any fixture closer than 152mm (6") from any curtain or combustible material.

• Make sure all screws are properly tightened.

YOU WILL NEED:



Included in Box:

- 1. Canopy
- 2. Power Wires
- 3. Luminaire
- 4. Allen Wrench

Surface Mounting

Step 1. Using supplied Allen wrench tool, loosen three retaining screws holding mounting plate to canopy and lift mounting plate out of canopy assembly.

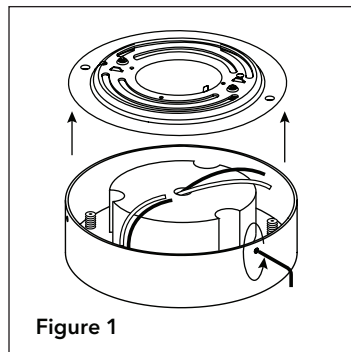


Figure 1

Step 2. Measure intended length of wires and trim off excess, leaving a minimum of 75mm (3") (Fig. 2) to accommodate final adjustment, which is done in Step 9.

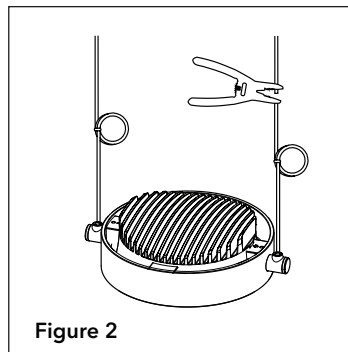


Figure 2

Step 3. Check polarity of each power wire as indicated on luminaire (Fig. 3).

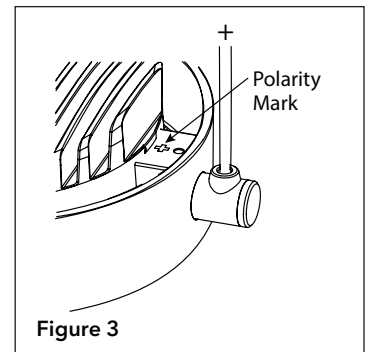


Figure 3

Step 4. Thread cables from luminaire through canopy as shown. Connect red output wire from driver to positive cable and blue output wire from driver to negative cable (Fig. 4).

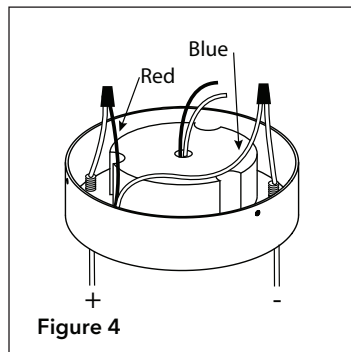


Figure 4

Step 5. Pull line, neutral, and ground wires (if required) through mounting plate and fasten mounting plate to ceiling (Fig. 5).

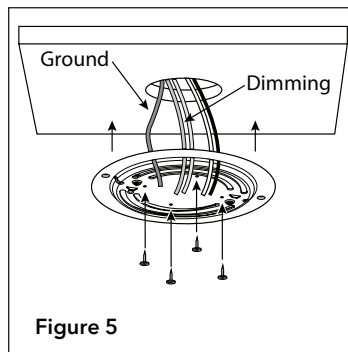


Figure 5

Step 6. Connect line and neutral wires from ceiling to brown and blue wires from driver. Connect ground (green/yellow) from driver to ground wire from ceiling. (Fig. 6). Driver accepts 220-240VAC input.

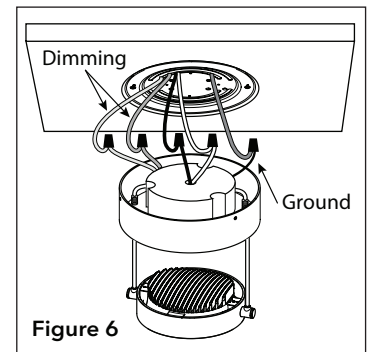


Figure 6

Step 7. Connect dimming wires from ceiling to dimming wires from canopy power supply (Fig. 7).

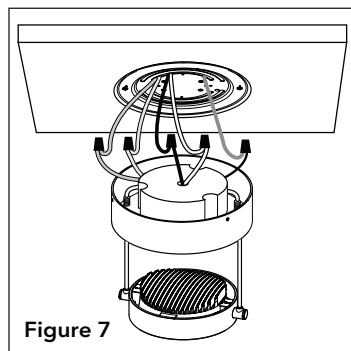


Figure 7

Step 8. Install canopy over mounting bracket and secure by tightening retaining screws (Fig. 8).

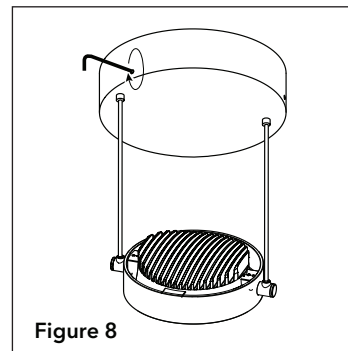


Figure 8

Step 9. Make final adjustments to length of power cables by pushing adjustable grippers up to allow free movement of cables (Fig. 9).

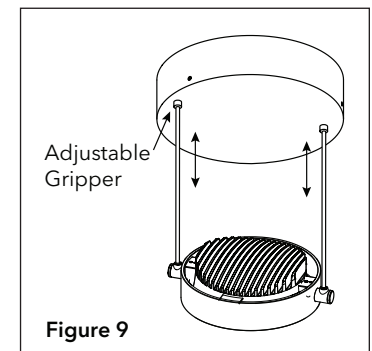


Figure 9