

• Read all instructions carefully before installing.

• Ensure that power is off on the main panel before starting installation or performing any maintenance.

• Do not install this lighting system in a wet location.

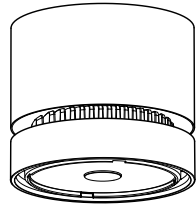
• Do not install any fixture closer than 152mm (6") from any curtain or combustible material.

• Make sure all screws are properly tightened.

YOU WILL NEED:



Trim Ring
(Included in Box)



Luminaire
(Included in Box)

Surface Mounting

Step 1. Pull wires through ceiling opening. Install trim ring on ceiling (Fig. 1).

Step 2. Attach luminaire to trim ring safety harness with carabiner clip (Fig. 2). Pull power and ground wires and dimming wires through trim ring.

Step 3. Connect brown and blue line voltage and green/yellow ground wires from luminaire to line voltage and ground wires from ceiling, and connect dimming wires from ceiling to corresponding wires from luminaire if required (Fig. 3). Driver accepts 220-240VAC input.

Step 4. Insert luminaire upwards into mounting ring (Fig. 4) and turn luminaire clockwise until you hear a distinct click indicating that tabs are locked into position (Figs. 5 and 6). Luminaire is locked into correct position when tabs are positioned as shown in Fig. 7.

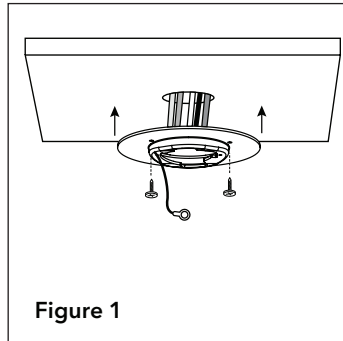


Figure 1

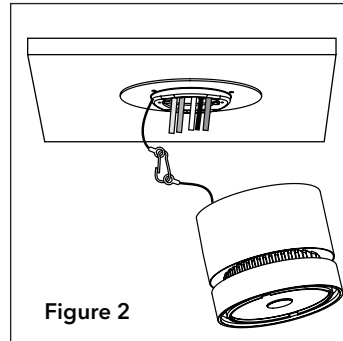


Figure 2

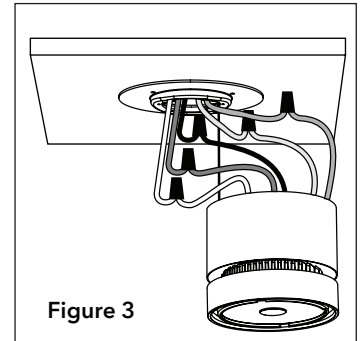


Figure 3

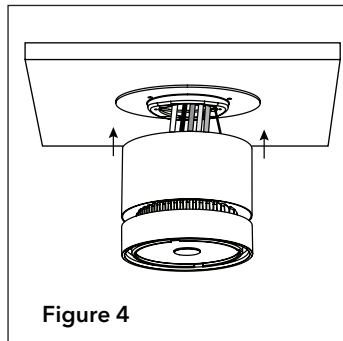


Figure 4

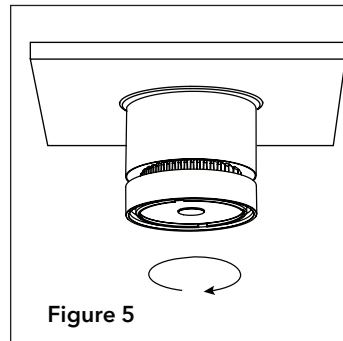


Figure 5

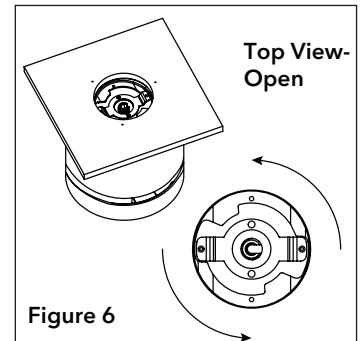


Figure 6

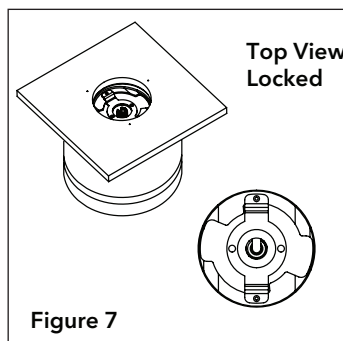


Figure 7