

• Read all instructions carefully before installing.

**YOU WILL NEED:**

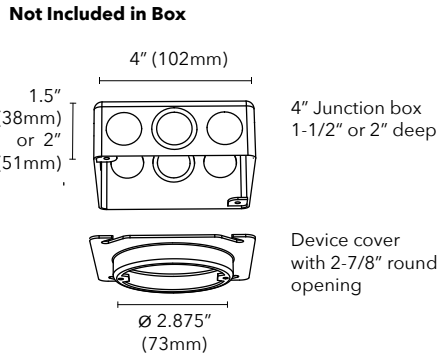
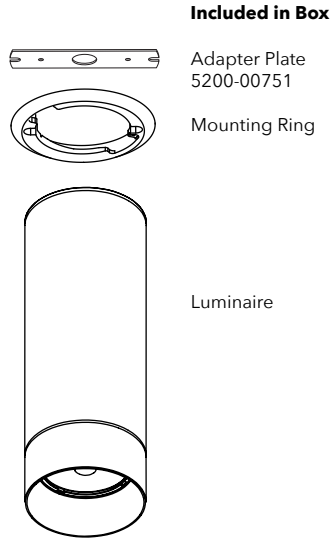
• Ensure that power is off on the main panel before starting installation or performing any maintenance.

• Do not install this lighting system in a wet location.

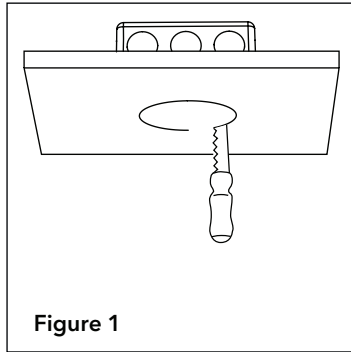
• Do not install any fixture closer than 6 inches from any curtain or combustible material.

• Make sure all screws are properly tightened.

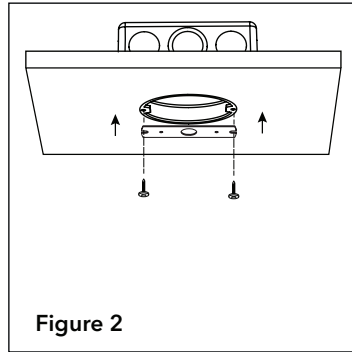
• Supply and install correct Junction Box and Device Cover as indicated at right before final installation of luminaire.



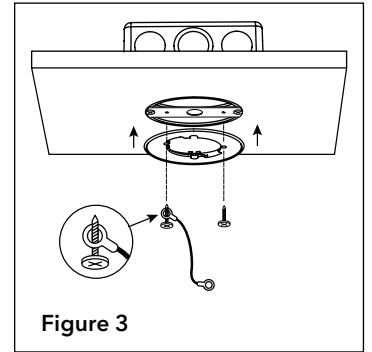
**Step 1.** Cut ceiling opening (Fig. 1).



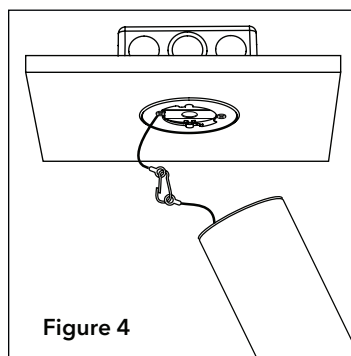
**Step 2.** Attach Adapter Plate 5200-00751 to device cover (Fig. 2). Note: If holes in device cover are 1-3/4" (44.45mm) apart center to center, Adapter Plate is not required.



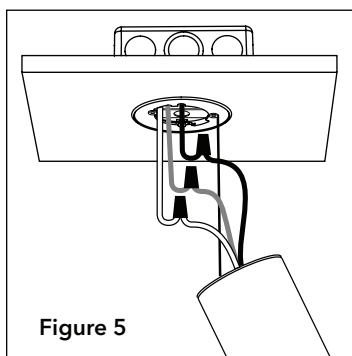
**Step 3.** Install mounting ring, attaching to Adapter Plate (or device cover if not using Adapter Plate). Attach safety tether to mounting plate (Fig. 3).



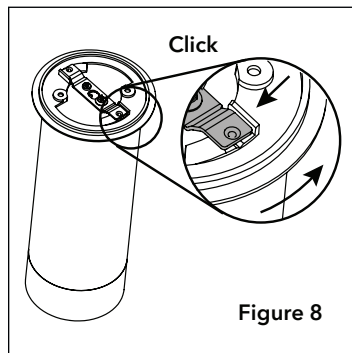
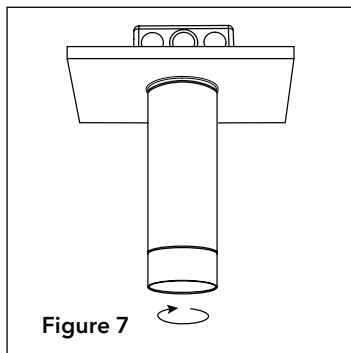
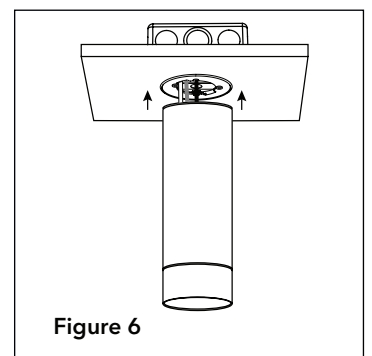
**Step 4.** Attach luminaire to mounting ring safety tether with carabiner clip (Fig. 4).



**Step 5.** Connect wires (Fig. 5) following per Wire Connections table. Driver accepts 120VAC input.



**Step 6.** Insert luminaire into mounting ring (Fig. 6). Turn luminaire clockwise (Fig. 7) until you hear a distinct click indicating that tabs are locked into position (Fig. 8).



**Wire Connections**

From Ceiling		From Luminaire
White	>	White
Black	>	Black
Green/Yellow	>	Green
Violet	>	Violet or Red
Yellow or Gray	>	Gray or Blue