

• Read all instructions carefully before installing.

YOU WILL NEED:

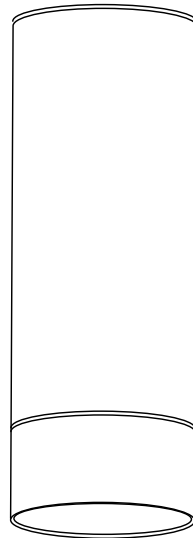
• Installation must be performed by a qualified person

• Ensure that power is off on the main panel before starting installation or performing any maintenance.

• Do not install any fixture closer than 20cm from any curtain or combustible material.

• Make sure all screws are properly tightened.

• The light source contained in this luminaire shall only be replaced by the manufacturer or their service agent or a similar qualified person.



Luminaire
(Included in Box)

Step 1. Unscrew mounting ring from top of luminaire by turning counter clockwise (Fig. 1).

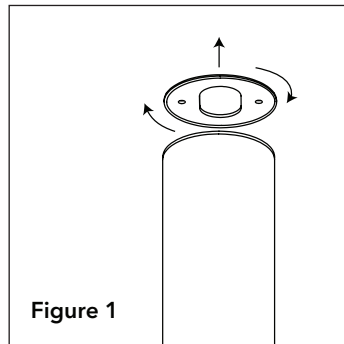


Figure 1

Step 2. Attach mounting ring to ceiling, fixing earth to mounting ring with screw (by others) (Fig. 2).

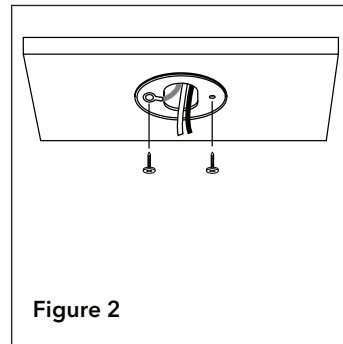


Figure 2

Step 3. Connect wiring following Wire Connections table below.

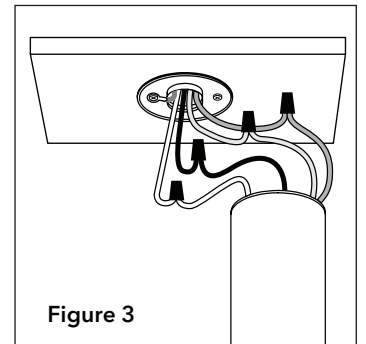


Figure 3

Step 4. Insert luminaire into mounting ring and screw into place, turning clockwise (Figs. 4 & 5).

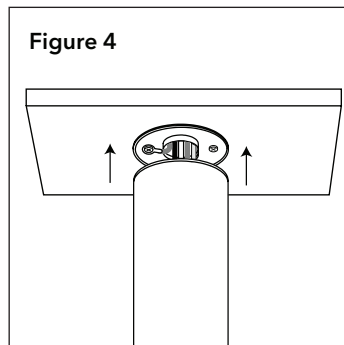


Figure 4

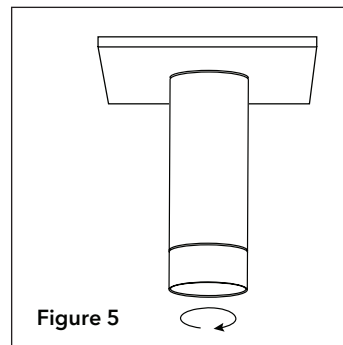


Figure 5

Wire Connections

From Ceiling	From Luminaire
Brown	> Brown
Blue	> Blue
Green/Yellow	> Green/Yellow
Violet (+)	> Violet or Yellow (+)
Yellow or Gray (-)	> Gray (-)