

• Read all instructions carefully before installing.

• Ensure that power is off on the main panel before starting installation or performing any maintenance.

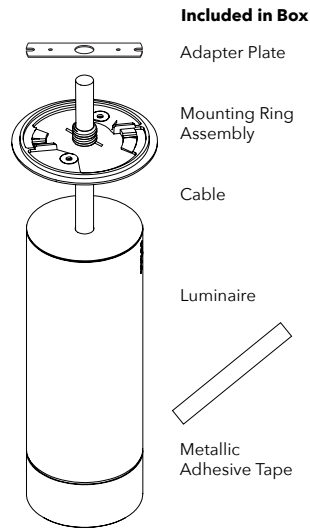
• Do not install this lighting system in a wet location.

• Do not install any fixture closer than 6 inches from any curtain or combustible material.

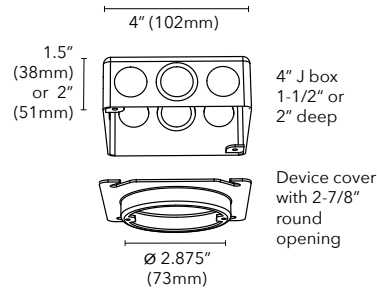
• Make sure all screws are properly tightened.

• Supply and install correct Junction Box and Device Cover as indicated at right before final installation of luminaire.

**YOU WILL NEED:**



**Not Included in Box**



**Wire Connections**

From Ceiling		From Luminaire
White	>	White
Black	>	Black
Green/Yellow	>	Green
Violet	>	Violet or Red
Yellow or Gray	>	Gray or Blue

**Step 1.** Cut ceiling opening under installed J-Box with device ring (by others) (Fig. 1).

**Step 2.** Run cable through Mounting Ring Assembly, then through Adapter Plate. Determine ceiling mounting height and knot pendant cable for rough dimension (Fig. 2).

**Step 3.** Trim cable to desired length and pull mains power wires through ceiling opening (Fig. 3).

**Step 4.** Connect wires from ceiling to wires from luminaire following Wire Connection table (Fig. 4).

**Step 5.** Place knotted cable and connected wires in J-Box. Attach Adapter Plate to device ring in ceiling (Fig. 5).

**Step 6.** Attach Mounting Ring to Adapter Plate (Fig. 6).

**Step 7.** Fit mounting Ring cover into mounting plate and screw to Adapter Plate, using flathead screwdriver (Fig. 7).

**Step 8.** To make final adjustments to cable length: remove top cover of luminaire by unscrewing in counterclockwise direction; loosen strain relief screw using Phillips head screwdriver, slide plate into desired position, then tighten screw (Fig. 8); and replace top plate on luminaire (Fig. 9).

