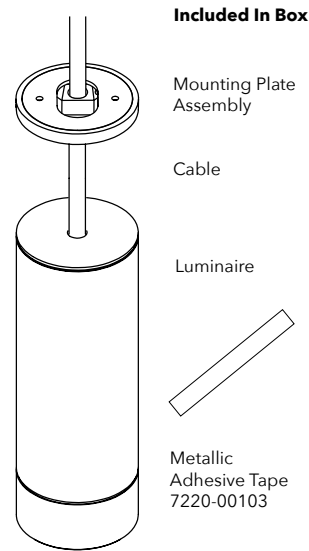
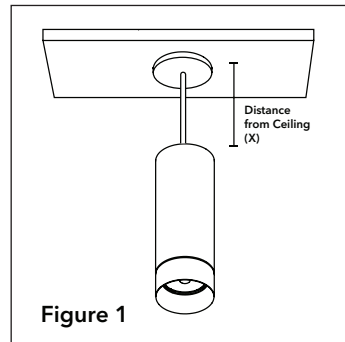


- Read all instructions carefully before installing.
- Installation must be performed by a qualified person
- Ensure that power is off on the main panel before starting installation or performing any maintenance.
- Do not install any fixture closer than 20cm from any curtain or combustible material.
- Make sure all screws are properly tightened.
- The light source contained in this luminaire shall only be replaced by the manufacturer or his service agent or a similar qualified person.
- The external flexible cable or cord of this luminaire cannot be replaced; if the cord is damaged the luminaire will be destroyed.

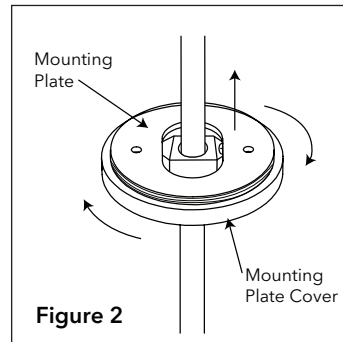
**YOU WILL NEED:**



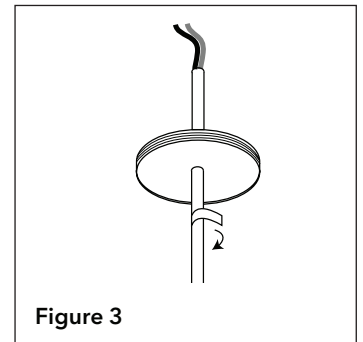
**Step 1.** Hold luminaire up to ceiling opening and determine desired cable length (X) (Fig. 1). Luminaire ships with 175 cm standard cable length.



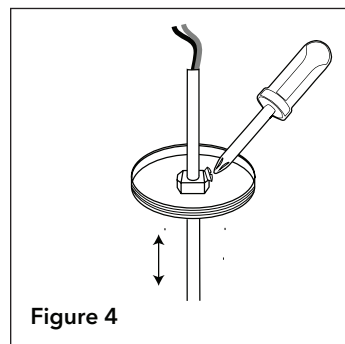
**Step 2.** Unscrew mounting plate from assembly, with counter-clockwise motion. Set mounting plate aside for use in Step 4 (Fig. 2).



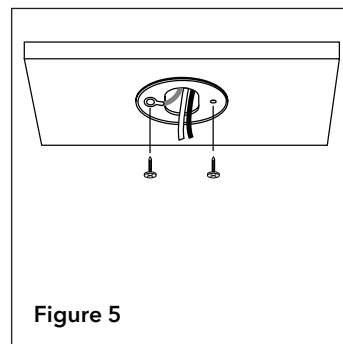
**Step 3.** Trim and adjust cable length as desired. Mark spot where cable will be secured and wrap with metallic tape to protect cable when strain relief screw is tightened in Step 4 (Fig. 3).



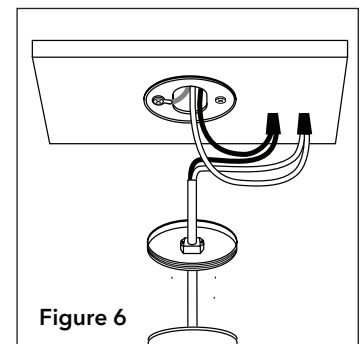
**Step 4.** Loosen strain relief screw in mounting plate cover, using Phillips head screwdriver. Adjust cable to desired position, aligning metallic tape with screw, then tighten in place (Fig. 4).



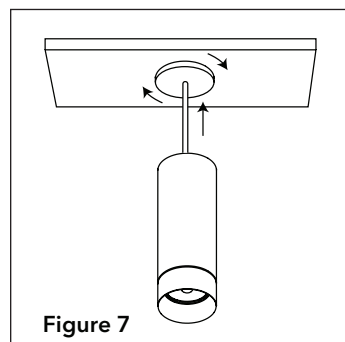
**Step 5.** Attach mounting plate to ceiling, connecting earth to mounting plate as shown (Fig. 5).



**Step 6.** Connect wiring from ceiling to luminaire following Wire Connections table (Fig. 6).



**Step 7.** Conceal wires in ceiling. Screw mounting plate cover onto mounting plate, turning clockwise (Fig. 6).



**Wire Connections**

From Ceiling	From Luminaire
Brown	> Brown
Blue	> Blue
Green/Yellow	> Green/Yellow
Violet (+)	> Violet or Yellow (+)
Yellow or Gray (-)	> Gray (-)