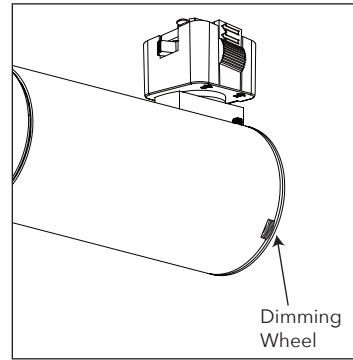
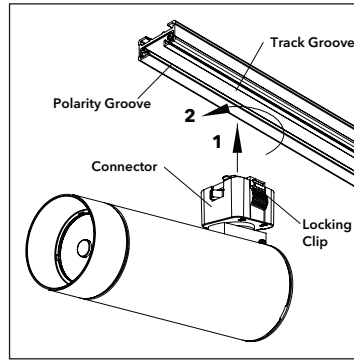


**IMPORTANT SAFETY INSTRUCTIONS:**

When installing or using the track system, basic safety precautions should always be followed, including the following:

1. Read all instructions before attempting to install the item.
2. Make certain power is turned off on the main electrical panel before starting installation or attempting any maintenance.
3. Do not install this lighting system in a damp or wet location.
4. Ensure the appropriate track connector is matched up with its compatible track system.



**Typical Adapter**

(For instructions for specific adapter types, refer to manufacturer's installation instructions)

**Step 1.** Place the connector into track groove and make sure that the side with the locking clip is opposite the polarity groove on the track.

**Step 2.** Push towards track and turn counter clockwise 90°.

**Step 3.** To remove the fixture, pull the locking clip downwards (away from the track) and turn clockwise 90°.

**Step 4.** Once assembly is complete, turn on power to confirm fixture working properly.

**Luminaire Level Dimming**

For ALT luminaires with adjustable dimming, use dimming wheel on side of luminaire as show above to adjust light levels.

**Track System Compatibility** Caution:  
Luminaire has been classified with the following manufacturers' track systems:

Track Adapter	Manufacturer	Compatible Track System
H-Type	Cooper Lighting (Halo <sup>1</sup> )	Single Circuit Track: L65 series Two Circuit Track, Cat. Nos. L-641~L-643 Single Circuit Track, Cat. Nos. LZR102, -104, -106, -108
	DMF Lighting	Single Circuit Track: DT-2, -4, -6, -8
J-Type	Juno <sup>2</sup> Lighting	One circuit Track, Cat. Nos. V-2, -4, -6, -8 One circuit Track, Cat. Nos. T-2, -4, -6, -8 Two Circuit Track, TU <sup>4</sup> series, Recessed Track, T14, T18
	Con-Tech Lighting	Single circuit Track: LT-2, -4, -6, -8 or LT <sup>4</sup> series Two Circuit Track: LT-22, LT-24, LT-26, LT-28, LT-212, or LT series
L-Type	Lightolier <sup>3</sup> , Philips	Single Circuit Track: 6004, 6006, 6008, 6012, 6024, 6072, or Lytespan Basic Two Circuit Track, Shape Rectangular: 6101- 6104, 6106, 6108, 6112, 6124, 6146, 6148, 6149, 6150-6154, 6172, 6194, or Advent Lytespan Single Circuit Track: 9102, 9104, 9106, 9108, or Lytespan Radius
LS-Type	LSI	Track Systems: 31XXX, 32XXX

1 - Halo is a registered trademark of Cooper Lighting  
2 - Juno is a registered trademark of Juno Lighting  
3 - Lightolier is a registered trademark of Phillips Lighting  
4 - Compatible with lower circuit only. Contact does not raise for upper circuit.