

• Read all instructions carefully before installing.

• Ensure that power is off on the main panel before starting installation or performing any maintenance.

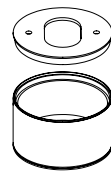
• Do not install this lighting system in a wet location.

• Do not install any fixture closer than 6 inches from any curtain or combustible material.

• Make sure all screws are properly tightened.

• Supply and install correct Junction Box and Device Cover as indicated at right before final installation of luminaire.

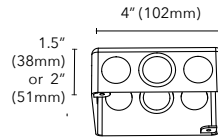
YOU WILL NEED:



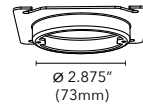
Included in Box
Mounting Plate
(Attached to Canopy)

Canopy

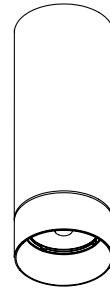
Not Included in Box



4" Junction box
1-1/2" or 2" deep



Device cover
with 2-7/8" round
opening



Luminaire

Step 1. Cut ceiling opening (Fig. 1).

Step 23. Attach Adapter Plate 5200-00751 to device cover (Fig. 2). Note: If holes in device cover are 1-3/4" (44.45mm) apart center to center, Adapter Plate is not required.

Step 3. Unscrew mounting ring from canopy (Fig.3).

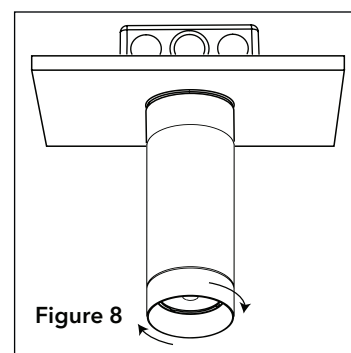
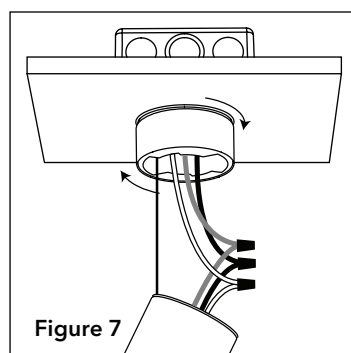
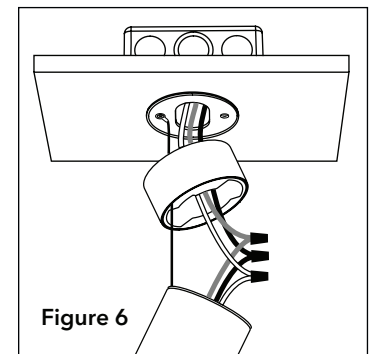
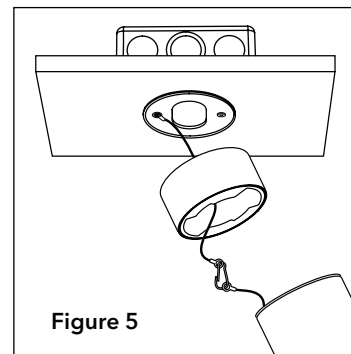
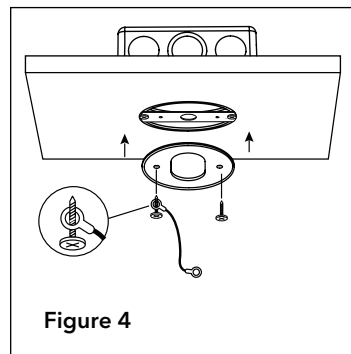
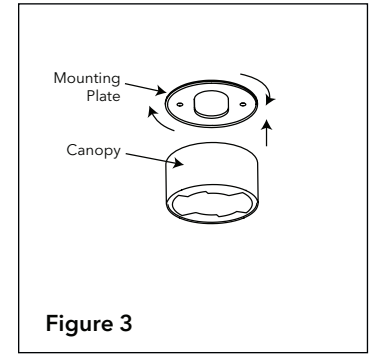
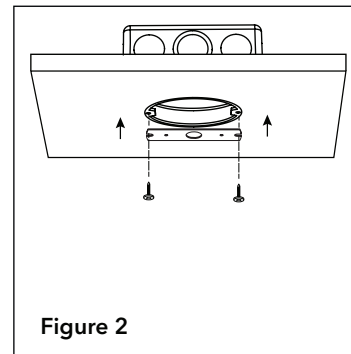
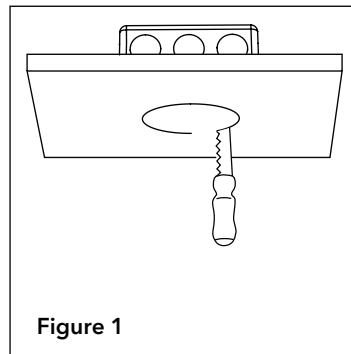
Step 4. Install mounting ring, attaching to ceiling with screws. Attach safety tether to mounting plate with screw as shown (Fig. 4).

Step 5. Pull safety tether through canopy and attach luminaire to mounting ring safety tether with carabiner clip (Fig. 5).

Step 6. Pull wires through ceiling opening and connect to luminaire following Wire Connection table (Fig. 6).

Step 7. Screw canopy into mounting ring (Fig. 7).

Step 8. Conceal wires in canopy. Insert luminaire into canopy and turn clockwise until you hear a distinct click indicating that tabs are locked into position (Fig. 8).



Wire Connections

From Ceiling		From Luminaire
White	>	White
Black	>	Black
Green/Yellow	>	Green
Violet	>	Violet
Yellow or Gray	>	Gray