

• Read all instructions carefully before installing.

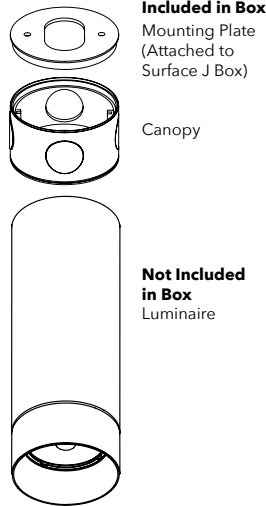
• Ensure that power is off on the main panel before starting installation or performing any maintenance.

• Do not install this lighting system in a wet location.

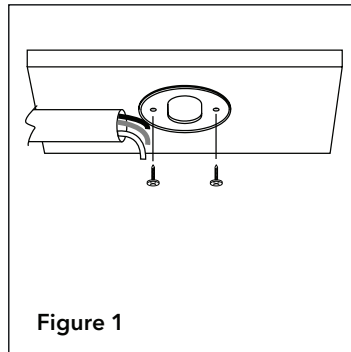
• Do not install any fixture closer than 6 inches from any curtain or combustible material.

• Make sure all screws are properly tightened.

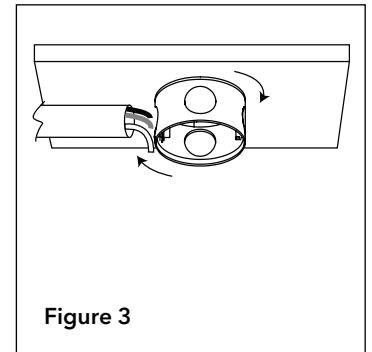
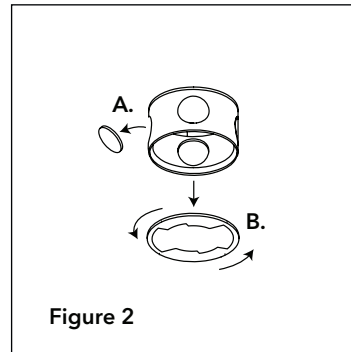
YOU WILL NEED:



Step 1. Unscrew Mounting Plate from canopy and attach to ceiling (Fig. 1).

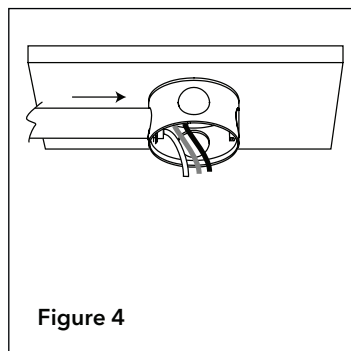


Step 2. A: Remove lower ring of canopy by turning counter clockwise. Set aside for installation in Step 5. B: remove knockout for conduit opening (Fig. 2).

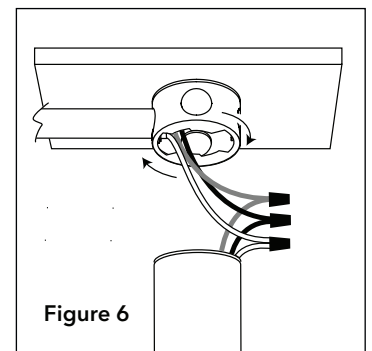
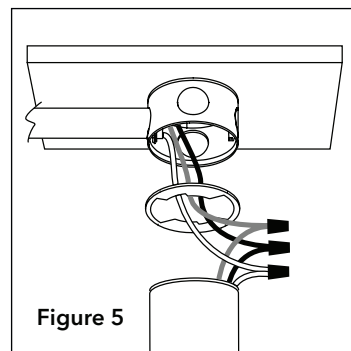


Step 3. Attach canopy to mounting plate by screwing in clockwise, making sure conduit opening aligns with conduit (Fig. 3).

Step 4. Install conduit into canopy and fasten with conduit hardware (by others) (Fig. 4)

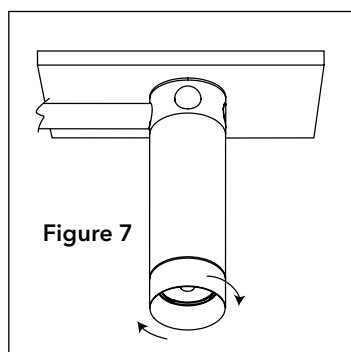


Step 5. Pass wires from conduit through canopy and connect to luminaire, following Wire Connections table (Fig. 5).



Step 6. Reinstall bottom ring of canopy by screwing clockwise (Fig. 7).

Step 7. Conceal wires in canopy. Screw luminaire into canopy by turning clockwise (Fig. 7).



Wire Connections

From Ceiling		From Luminaire
White	>	White
Black	>	Black
Green/Yellow	>	Green
Violet	>	Violet
Yellow or Gray	>	Gray