

• Read all instructions carefully before installing.

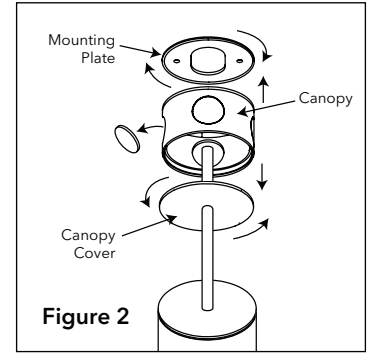
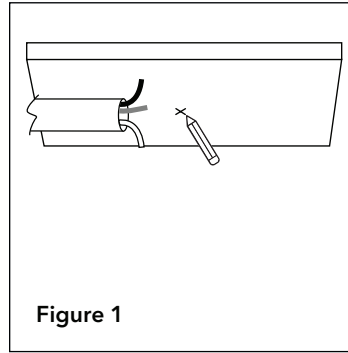
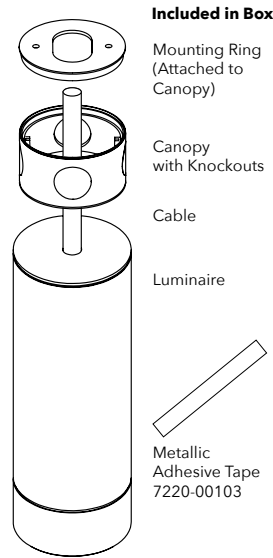
• Ensure that power is off on the main panel before starting installation or performing any maintenance.

• Do not install this lighting system in a wet location.

• Do not install any fixture closer than 6 inches from any curtain or combustible material.

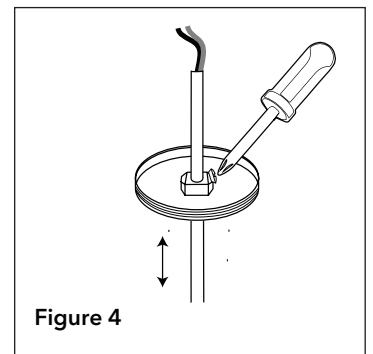
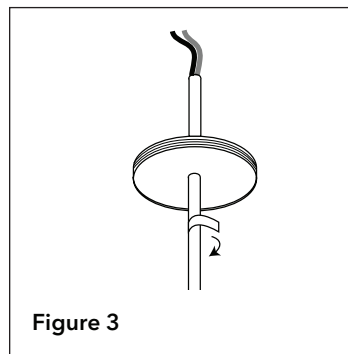
• Make sure all screws are properly tightened.

YOU WILL NEED:



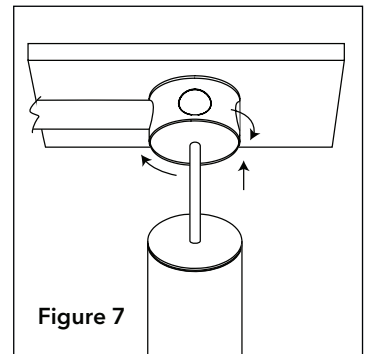
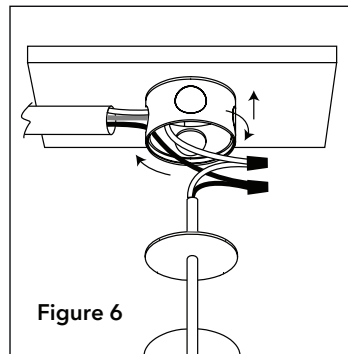
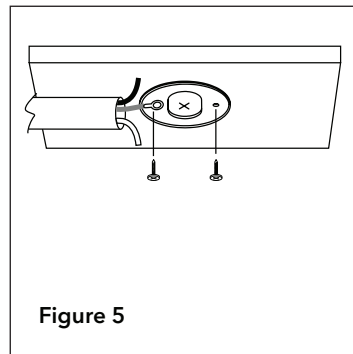
Step 1. Mark centerline for location of canopy attachment next to conduit termination (Fig. 1).

Step 2. Unscrew mounting plate from top of canopy; remove conduit knockout; unscrew cover from bottom of canopy (Fig. 2).



Step 3. Trim and adjust cable length as desired. Mark spot where cable will be secured and wrap with metallic tape to protect cable when strain relief screw is tightened in Step 4 (Fig. 3).

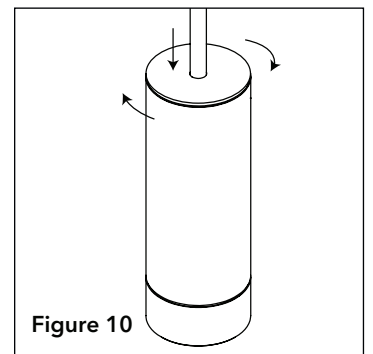
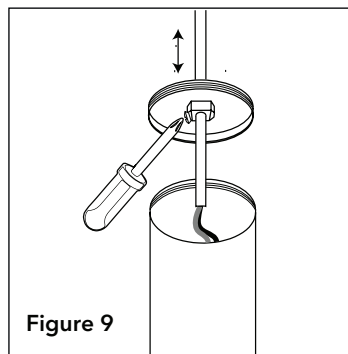
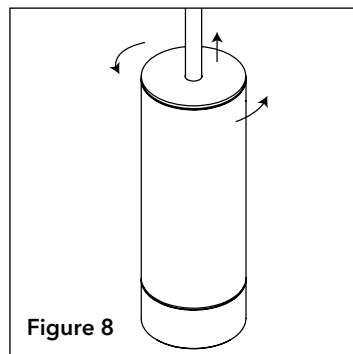
Step 4. Loosen strain relief screw in mounting plate cover, using Phillips head screwdriver. Adjust cable to desired position, aligning metallic tape with screw, then tighten in place (Fig. 4).



Step 5. Attach mounting plate to ceiling, connecting earth to mounting plate as shown (Fig. 5).

Step 6. Screw canopy to mounting ring, then connect wires following Wire Connections table (Fig. 6).

Step 7. Attach conduit to canopy with appropriate hardware (by others). Place connected wires in canopy, then screw bottom plate onto canopy (Fig. 7).



Step 8. To make final adjustments to cable length: remove top plate of luminaire by unscrewing in counter-clockwise direction (Fig. 9). Loosen strain relief screw, slide plate into desired position, then tighten screw (Fig. 9). Replace top plate of luminaire (Fig. 10).

Wire Connections

| From Ceiling | From Luminaire |
|----------------|-----------------|
| White | > White |
| Black | > Black |
| Green/Yellow | > Green |
| Violet | > Violet or Red |
| Yellow or Gray | > Gray or Blue |