

• Read all instructions carefully before installing.

• Ensure that power is off on the main panel before starting installation or performing any maintenance.

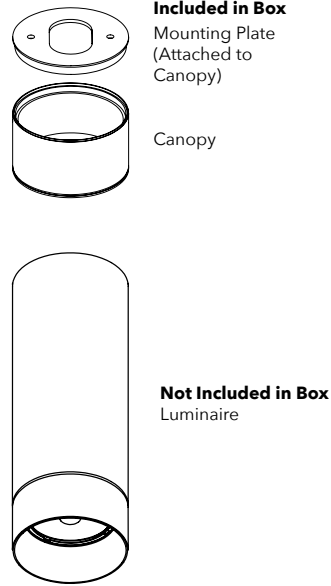
• Do not install this lighting system in a wet location.

• Do not install any fixture closer than 20cm from any curtain or combustible material.

• Make sure all screws are properly tightened.

• Supply and install correct Junction Box and Device Cover as indicated at right before final installation of luminaire.

YOU WILL NEED:



Step 1. Cut ceiling opening (Fig. 1).

Step 2. Unscrew mounting ring from canopy (Fig. 2).

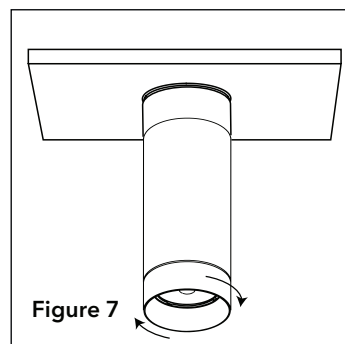
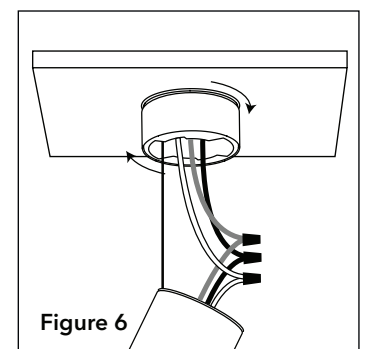
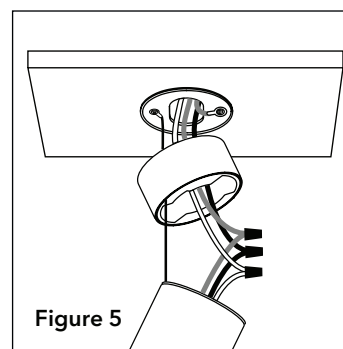
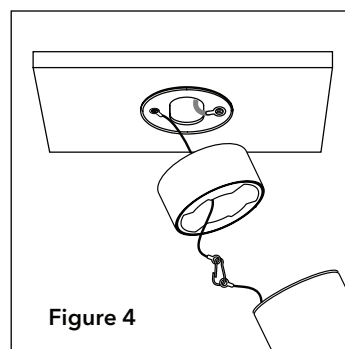
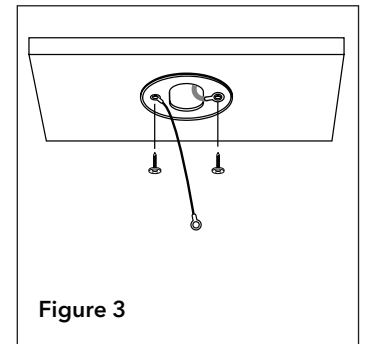
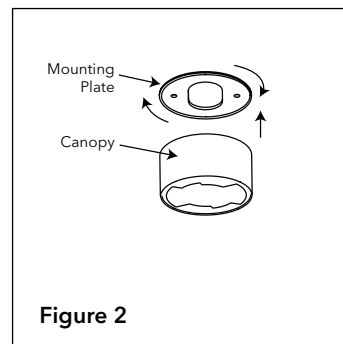
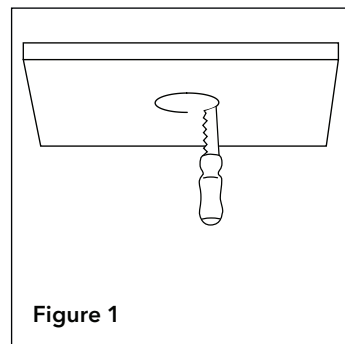
Step 3. Install mounting ring, attaching to ceiling with screws. Attach safety tether to mounting plate with screw (Fig. 3).

Step 4. Pull safety tether through canopy and attach to luminaire with carabiner clip (Fig. 4).

Step 5. Pull wires through ceiling opening and connect to luminaire following Wire Connection table (Fig. 5).

Step 6. Screw canopy into mounting ring (Fig. 6).

Step 7. Conceal wires in canopy. Insert luminaire into canopy and turn clockwise until you hear a distinct click indicating that tabs are locked into position (Fig. 7).



Wire Connections

From Ceiling	From Luminaire
Brown	> Brown
Blue	> Blue
Green/Yellow	> Green/Yellow
Violet (+)	> Violet or Yellow (+)
Yellow or Gray (-)	> Gray (-)