

• Read all instructions carefully before installing.

• Ensure that power is off on the main panel before starting installation or performing any maintenance.

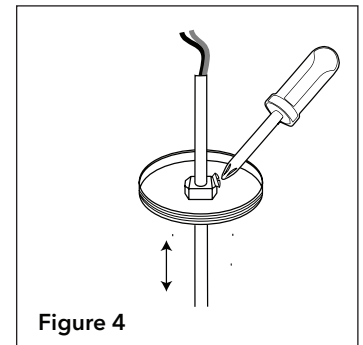
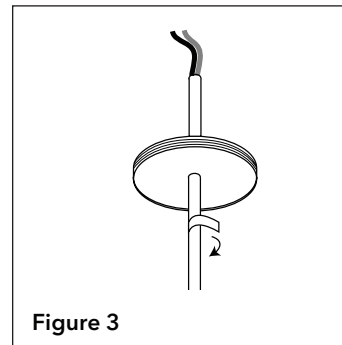
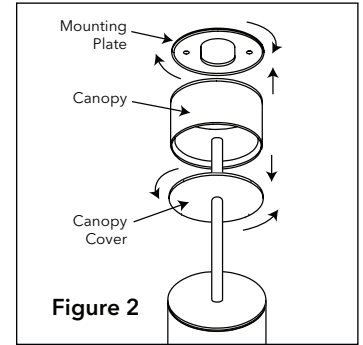
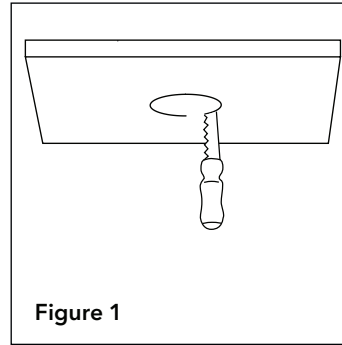
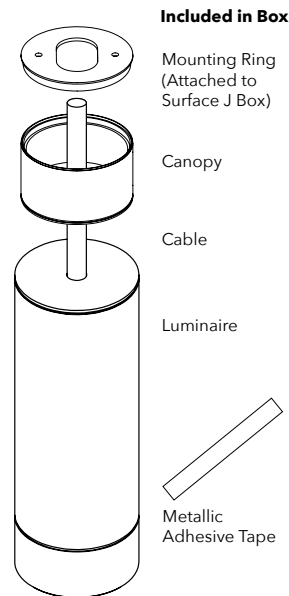
• Do not install this lighting system in a wet location.

• Do not install any fixture closer than 20cm from any curtain or combustible material.

• Make sure all screws are properly tightened.

• The external flexible cable or cord of this luminaire cannot be replaced; if the cord is damaged the luminaire will be destroyed.

**YOU WILL NEED:**



**Step 1.** Cut ceiling opening (Fig. 1).

**Step 2.** Unscrew mounting plate from top of canopy and canopy cover from bottom of canopy (Fig. 2).

**Step 3.** Trim and adjust cable length as desired. Mark spot where cable will be secured and wrap with metallic tape to protect cable when strain relief screw is tightened in Step 4 (Fig. 3).

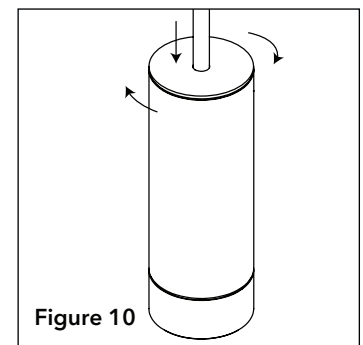
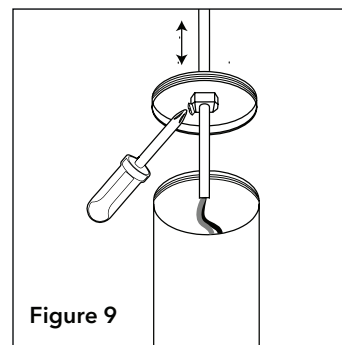
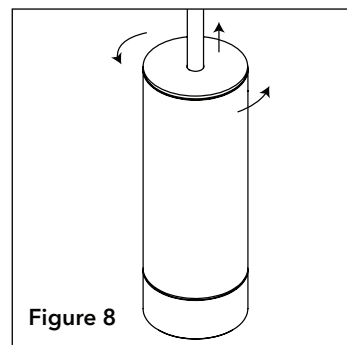
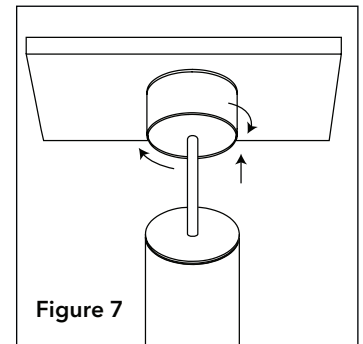
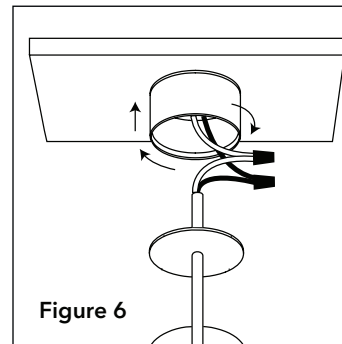
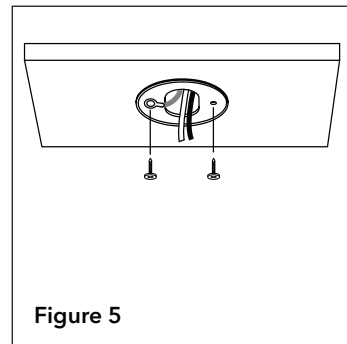
**Step 4.** Loosen strain relief screw in mounting plate cover, using Phillips head screwdriver. Adjust cable to desired position, aligning metallic tape with screw, then tighten in place (Fig. 4).

**Step 5.** Attach mounting plate to ceiling, connecting ground to mounting plate as shown (Fig. 5).

**Step 6.** Screw canopy to mounting ring, then connect wires following Wire Connections table (Fig. 6).

**Step 7.** Place connected wires in canopy, then screw bottom plate into canopy (Fig. 7).

**Step 8.** To make final adjustments to cable length: remove top plate of luminaire by unscrewing in counterclockwise direction (Fig. 8); loosen strain relief screw with Phillips head screwdriver, slide plate into desired position, then tighten allen screws (Fig. 9); and replace top plate on luminaire (Fig. 10).



**Wire Connections**

From Ceiling	From Luminaire
Brown	> Brown
Blue	> Blue
Green/Yellow	> Green/Yellow
Violet (+)	> Violet or Yellow (+)
Yellow or Gray (-)	> Gray (-)