

• Read all instructions carefully before installing.

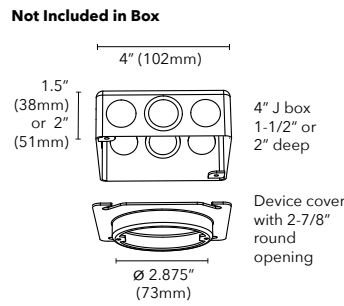
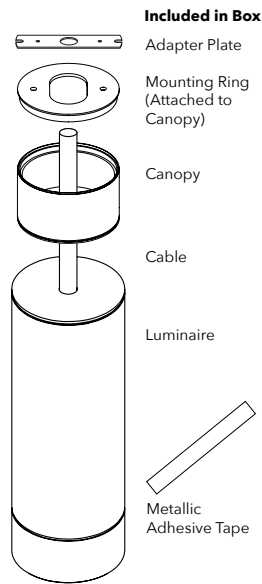
• Ensure that power is off on the main panel before starting installation or performing any maintenance.

• Do not install this lighting system in a wet location.

• Do not install any fixture closer than 6 inches from any curtain or combustible material.

• Make sure all screws are properly tightened.

**YOU WILL NEED:**



**Wire Connections**

| From Ceiling   | > | From Luminaire |
|----------------|---|----------------|
| White          | > | White          |
| Black          | > | Black          |
| Green/Yellow   | > | Green          |
| Violet         | > | Violet or Red  |
| Yellow or Gray | > | Gray or Blue   |

**Step 1.** Cut ceiling opening (Fig. 1).

**Step 2.** Attach Adapter Plate to device ring in ceiling (Fig. 2).

**Step 3.** Unscrew mounting plate from top of canopy and canopy cover from bottom of canopy (Fig. 2).

**Step 4.** Trim and adjust cable length as desired. A: Mark spot where cable will be secured and wrap with metallic tape to protect cable when strain relief screw is tightened. B: Loosen strain relief screw in mounting plate cover, using Phillips head screwdriver. Adjust cable to desired position, aligning metallic tape with screw, then tighten in place (Fig. 4).

**Step 5.** Attach mounting plate to adapter plate in ceiling, connecting ground to mounting plate as shown (Fig. 5).

**Step 6.** Screw canopy to mounting ring, then connect wires following Wire Connections table (Fig. 6).

**Step 7.** Place connected wires in canopy, then screw bottom plate into canopy (Fig. 7).

**Step 8.** To make final adjustments to cable length: remove top plate of luminaire by unscrewing in counter-clockwise direction (Fig. 8); loosen strain relief screw with Phillips head screwdriver, slide plate into desired position, tighten screw (Fig. 9). Replace top plate on luminaire.

